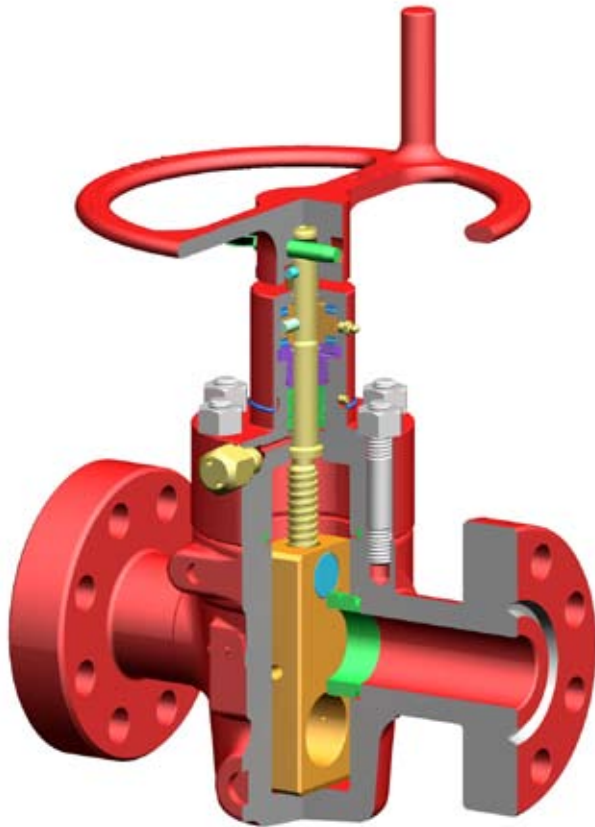


Model 120plus Gate Valve



Applications

- 3,000 psi and 5,000 psi (qualified for 6,650 psi service)
- Wellhead annulus outlet valve
- Production master and wing valve
- -75° F to 350° F
- Material class AA to HH

Benefits

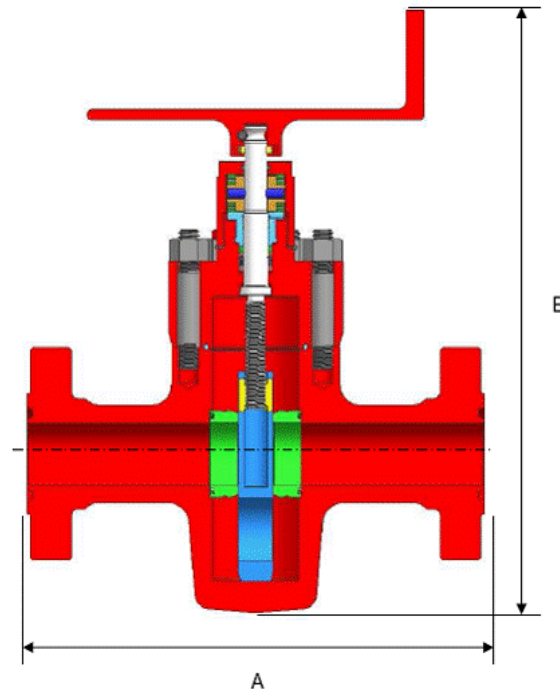
- Easy to operate low torque design
- Low total cost of ownership—designed and tested for a 25 year life
- Inexpensive to maintain—common components across valve family reduce your spares inventory
- Easy to repair in the field through innovative design geometry

Features

- Bidirectional metal-to-metal sealing floating slab gate
- Metal-to-metal sealing between seat and body
- Light weight, simple design
- Non-rising stem
- Patented nonelastomeric UV stem packing
- Proprietary hardfacing
- End connections conform to API Spec 6A
- Standard API ring gaskets
- Qualified to API Spec 6A Appendix F PR2
- Qualified to API Spec 6FA for fire resistance

FMC Technologies Model 100plus series valves are the most technically advanced slab gate valves in the oil and gas industry. This new gate valve design is based on more than 20 years of field experience plus 4 years of extensive research and development.

Available in hand wheel operated and adapted for actuator configuration.



120plus 3,000 psi

Size, in.	Working Pressure, psi	Dimensions, in.		Operating Torque, ft-lb		Weight, lbm	Turns to Open/Close	Stroke, in.
		A	B	Min	Max			
2-1/16	3,000	14.62	22.60	24	53	151	12.6	2.52
2-9/16	3,000	16.62	24.60	32	60	216	15.1	3.02
3-1/8	3,000	17.12	26.85	26	50	297	18.1	3.62
4-1/16	3,000	20.12	32.40	47	108	505	23.6	4.72

120plus 5,000 psi

Size, in.	Working Pressure, psi	Dimensions, in.		Operating Torque, ft-lb		Weight, lbm	Turns to Open/Close	Stroke, in.
		A	B	Min	Max			
2-1/16	5,000	14.62	22.60	24	53	151	12.6	2.52
2-9/16	5,000	16.62	24.60	32	60	216	15.1	3.02
3-1/8	5,000	18.62	26.85	43	83	297	18.1	3.62
4-1/16	5,000	21.62	32.40	79	160	505	23.6	4.72
5-1/8	5,000	28.62	39.20	137	269	844	28.4	5.68
6-3/8	5,000	29.00	45.83	203	401	1245	37.3	7.45
7-1/16	5,000	32.00	46.30	273	541	1213	30.3	7.66

Note: 120plus valve qualified for 6,650 psi