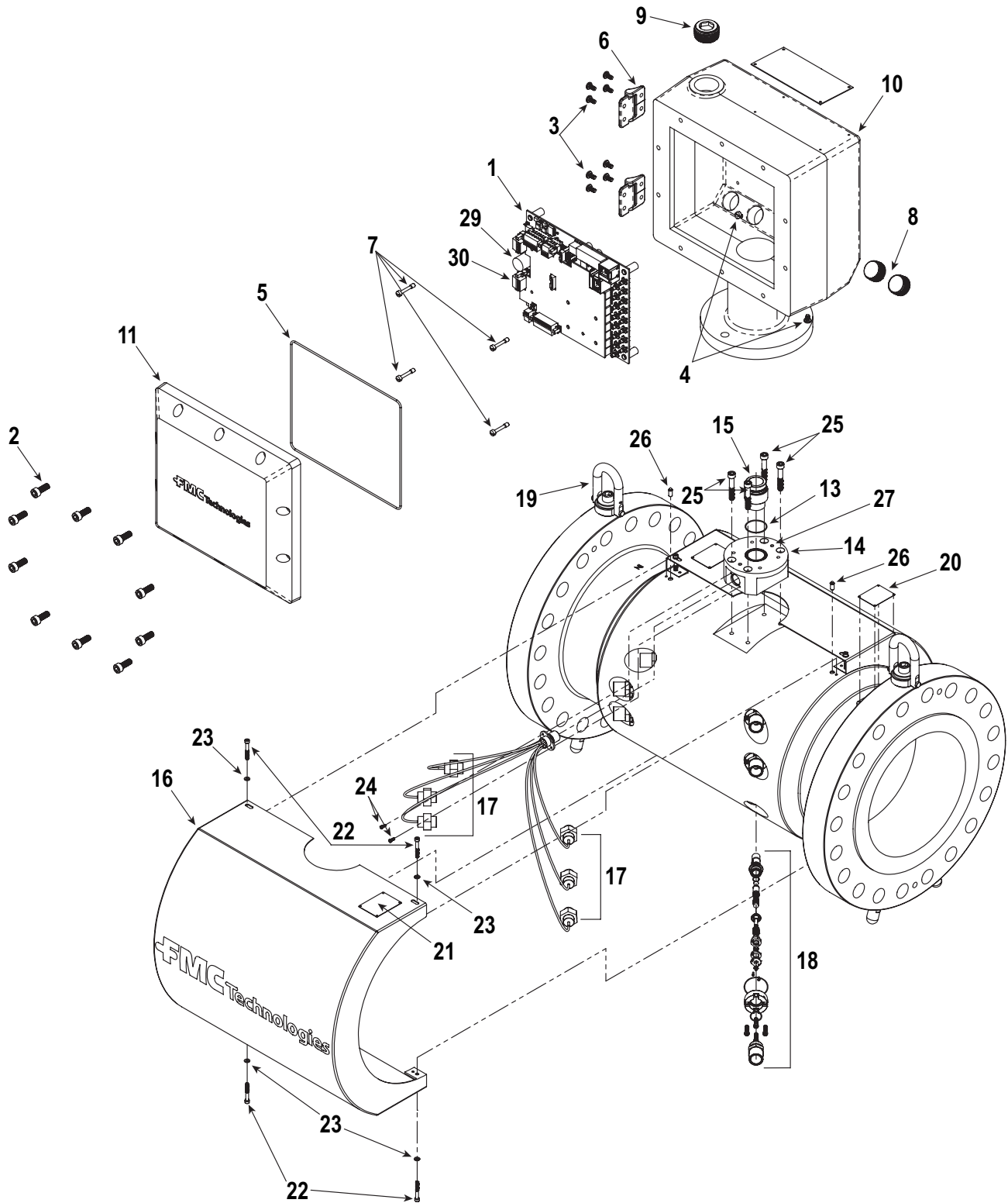


Ultra™ Series

Ultra™ 6c and Ultra™ 4c



Item		Description	Qty.	Part Number
		Computer Enclosure:		
		Aluminum	1	840001-101
		Stainless Steel	1	840001-102
1	+	Meter Control Board	1	236156-101
2		Screw C, M6, 1.0 x 16mm	10	644970-413
3		Screw, M4 7 x 8 LNG	8	644970-420
4		Screw, M4 7 x 6 LNG	2	644970-421
5		O-Ring, Buna-N.....	A/R	646050-402
6		Hinge.....	2	646106-402
7		Screw, M4 7 x 22 LNG	4	646212-408
8		Plug, 1/2 - 14 NPT:		
		Aluminum	4	647000-515
		Stainless Steel	4	647000-525
9		Plug, 3/4 - 14 NPT:		
		Aluminum	1	647000-516
		Stainless Steel	1	647000-526
10		Housing:		
		Aluminum	1	840001-001
		Stainless Steel	1	840001-002
11		Cover:		
		Aluminum	1	840002-001
		Stainless Steel	1	840002-002
12	*	Pad, Foam 1 x 1 x 1/4'	1	647001-443
		Assembly, Manifold Mounting Block.....	1	840005-101
13		O-Ring, Buna-N.....	1	640887-429
14		Block, Manifold Mounting	1	840005-001
15		Hub, Manifold Mounting Block	1	840005-002
16		Cover:		
		6"	2	840006-002
		8"	2	840006-003
		10"	2	840006-001
		12"	2	840006-004
		16"	2	840006-005
		18"	2	840006-006
		20"	2	840006-007
		24"	2	840006-008
		30"	2	840006-009
17		Assembly, Wired Manifold:		
		6 - 8":		
		Ultra 4c.....	2	840006-019
		Ultra 6c.....	2	840006-012
		10 - 12":		
		Ultra 4c.....	2	840006-020
		Ultra 6c.....	2	840006-013
		16 - 18":		
		Ultra 4c.....	2	840006-021
		Ultra 6c.....	2	840006-014
		20 - 24":		
		Ultra 4c.....	2	840006-022
		Ultra 6c.....	2	840006-015
		30":		
		Ultra 4c.....	2	840006-023
		Ultra 6c.....	2	840006-016

Item	Description	Qty.	Part Number
18	+ Assembly, Transducer:		
	6 - 30".....	**	
	Transducer with COAX.....	1	P8000005651
	Inner Transducer.....	1	P8000005655
	Inner Transducer Replacement Kit.....	1	P8000005878
	Adapter, Liquid Transducer.....	1	554481-101
	Adapter, Liquid Ultrasonic Transducer.....	1	870015-023
	Screw, M6 1.0 x 25 mm.....	4	644970-415
	Screw, M2 .4 x 4 mm.....	1	644970-403
	O-Ring, 18.1 Metric.....	1	640887-431
	O-Ring, 18.1 Metric.....	1	640887-432
	O-Ring, 49 x 1.5 mm.....	1	640887-433
	O-Ring, Uniform No. 019.....	1	640802-419
	O-Ring, Adapter Ring.....	1	640802-420
	Low Frequency.....	**	
	Transducer.....	1	P8000005656
	Inner Transducer.....	1	P8000005658
	Inner Transducer Replacement Kit.....	1	P8000006018
	Plate, Transducer Coupling.....	1	870015-037
	Adapter, Clamping Plate.....	1	870015-022
	Screw M2 .4 x 4 mm.....	1	644970-403
	O-Ring, Uniform No. 023.....	1	640887-437
	O-Ring, Uniform No. -219.....	1	640887-436
	O-Ring, Uniform No. 2-020.....	1	640887-434
	O-Ring, Uniform No. 8-020.....	1	640887-435
	Screw, M8 1.25 x 20 mm.....	4	644970-418
	Screw, M8 1.25 x 25 mm.....	4	644970-419
19	Ring, Center-Pull Hoist.....	2	655425-413
20	Nameplate.....	1	568006-004
21	Nametag.....	1	568006-010
22	Screw, M6 1 x 45 SS Socket Head.....	8	646999-001
23	Washer.....	8	646999-002
24	Screw, M4 .7 x 10 Socket Head.....	4	646999-003
25	Screw, M10 1.5 x 60 SS Socket Head.....	4	646999-004
26	Pin.....	4	646999-005
27	Screw, M8 1.25 x 25 SS Socket Head.....	2	646999-006
28	* Coax Torque Tool.....	A/R	P8000005191
29	Replacement UMCB Fuse.....	1	P8000006435
30	Replacement Terminal Plug Kit.....	1	P8000005165
31	* Standard Transducer O-Ring Kit.....	A/R	870000001-001
32	* LF Transducer O-Ring Kit.....	A/R	870015046-046
33	* Synthetic Sightglass Fluid.....	A/R	P8000005877

- + Recommended Spare
- * Not illustrated
- ** Ultra 4c qty. 8; Ultra 6c qty. 12.

Headquarters:

500 North Sam Houston Parkway West,
Suite 100, Houston, TX 77067 USA
Phone: +1 (281) 260 2190
Fax: +1 (281) 260 2191

Operations:

Measurement Products and Equipment:
Ellerbek, Germany +49 (4101) 3040
Erie, PA USA +1 (814) 898 5000

Integrated Measurement Systems:
Corpus Christi, TX USA +1 (361) 289 3400
Kongsberg, Norway +47 (32) 286700

The specifications contained herein are subject to change without notice and any user of said specifications should verify from the manufacturer that the specifications are currently in effect. Otherwise, the manufacturer assumes no responsibility for the use of specifications which may have been changed and are no longer in effect.

Contact information is subject to change. For the most current contact information, visit our website at www.fmctechnologies.com/measurementsolutions and click on the "Contact Us" link in the left-hand column.

www.fmctechnologies.com/measurementsolutions