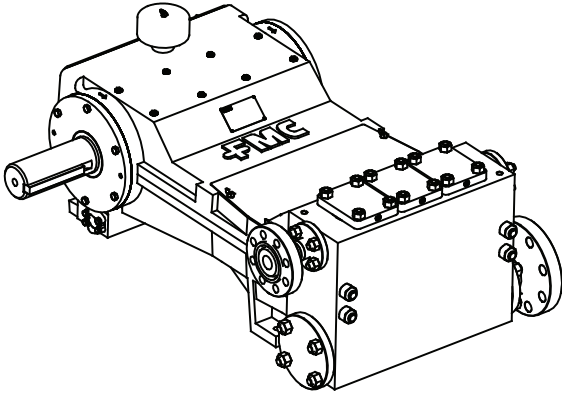


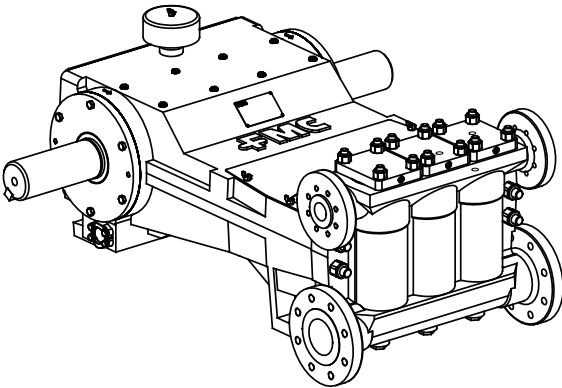
## M18 Plunger Pump Data

150 BHP Continuous Duty (190 BHP Intermittent Duty)

### Forged ISO Drawing



### Cast ISO Drawing



### Specifications

Pump Model	M18
Design Standard	API-674, Second Edition
Configuration	Horizontal Triplex Plunger
Number of Plungers	3
Stroke Length	4.5 Inches
Frame Load Rating	12,000 lbs
Forged Fluid Cylinder Pressure Rating	10,000 psi
Cast Fluid Cylinder Pressure Rating	3,000 psi
Pump Weight (Average)	2,400 lbs
Intermittent Duty Speed Rating	400 RPM
Continuous Duty Speed Rating	330 RPM
API-674 Max Recommended Speed	330 RPM
Minimum Speed	100 RPM
Mechanical Efficiency *	90%
Lubrication System (Standard)	Splash, Gravity Return
Lubrication System (Optional)	Pressurized, Motor or Crank Driven
Lube Oil Capacity	10 Gallons
Lube Oil Type	SAE 30
Maximum Fluid Temperature	200 °F (400 °F Capability)
Minimum Fluid Temperature	-20 °F (-50 °F Capability)
Valve Types	Disc Valves, Abrasion Resistant Valves

*\* Slower RPM can be achieved with the addition of a pressurized lubrication system*

Forged Fluid End Material	Cast Fluid End Material
A105 Carbon Steel	Ductile Iron
A350-LF2 Carbon Steel	Nickel Aluminum Bronze
316L Stainless Steel	316L Stainless Steel
2205 Duplex Stainless Steel	2205 Duplex Stainless Steel
Alloy Steel	

*\* Special Materials available on request*

Standard Connection Sizes	Suction	Discharge
M1810-M1816	3.0	1.5
M1818-M1826	4.0	2.0
M1828-M1836	6.0	3.0

*\* NPT Connections Available*

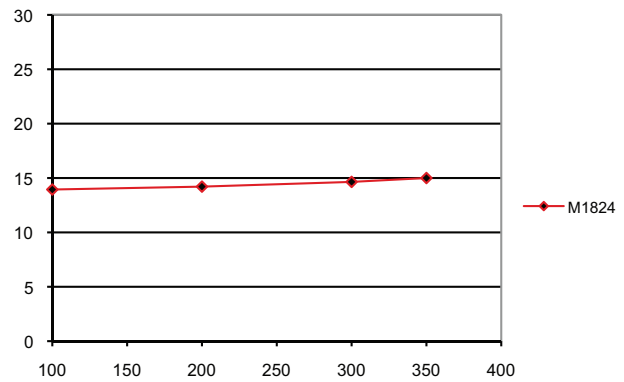
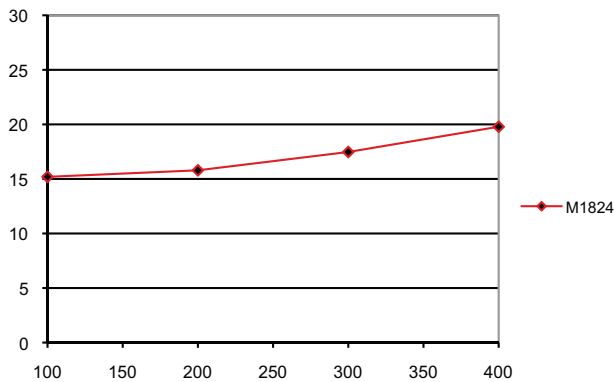
- Consult FMC for specific exceptions to API-674 and NACE standards.
- Consult FMC for any application where inlet pressures will exceed 10% of rated discharge pressure.
- Horsepower based on 90% mechanical efficiency. Actual application horsepower requirements can be calculated using the equation:  $BHP = (GPM * PSI) / (1714 * 0.90)$
- Direction of rotation is the top of the crankshaft towards the fluid head.

## M18 Performance Table

Pump Model	Plunger Diameter (in)	Displacement (GAL/REV)	Maximum Pressure (PSI)	Pump Capacity (GPM) @ Input Speed (RPM)					
				100 RPM	200 RPM	300RPM	330RPM	350RPM	400RPM
M1810	1.250	0.0717	9,800	7.2	14	22	24	25	29
M1812	1.500	0.1033	6,800	10	21	31	34	36	41
M1814	1.750	0.1406	5,000	14	28	42	46	49	56
M1816	2.000	0.1836	3,800	18	37	55	61	64	73
M1818	2.250	0.2324	3,000	23	47	70	77	81	93
M1820	2.500	0.2869	2,400	29	57	86	95	100	115
M1822	2.750	0.3471	2,000	35	69	104	115	122	139
M1824	3.000	0.4131	1,700	41	83	124	136	145	165
M1826	3.250	0.4848	1,400	49	97	145	160	170	194
M1828	3.500	0.5623	1,200	56	113	169	186	197	225
M1830	3.750	0.6455	1,100	65	129	194	213	226	258
M1832	4.000	0.7344	1,000	73	147	220	242	257	294
M1834	4.250	0.8291	800	83	166	249	274	290	332
M1836	4.500	0.9295	750	93	186	279	307	325	372

### M18 NPSHr values for Disc Valves with 2-springs

### M18 NPSHr values for AR Valves with 1-spring

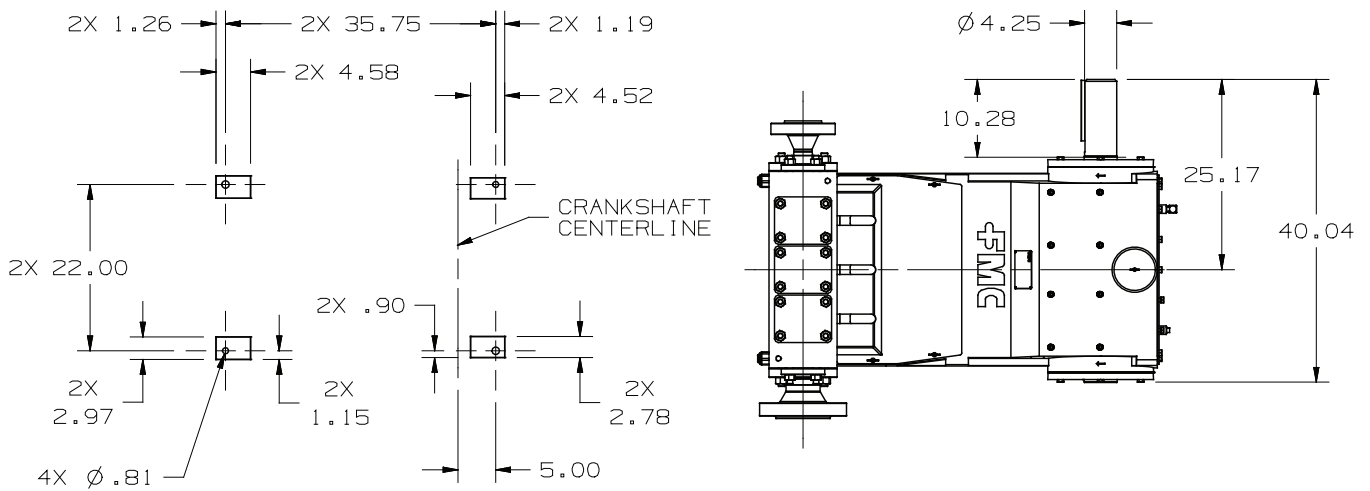


- Pump capacities shown are based on 100% volumetric efficiency.
- FMC recommends NPSHa (available) exceeds NPSHr (required) by 5 feet of water.
- Take special consideration when calculating NPSHa. Recalculate NPSHa after pump model has been selected for more accurate values.
- NPSHr values are in feet of water. If you are pumping a different liquid than water, convert the required NPSH from water to the liquid being pumped by dividing the published NPSHr value by the specific gravity of the liquid being pumped.
- FMC published NPSHr values are based on test data collected on specific pumps at the factory and are estimated values. Actual NPSHr values for an ordered pump can only be determined by a factor test. For NPSH critical applications, contact the factory for additional information and request an NPSHr test performed on your pump before shipment.

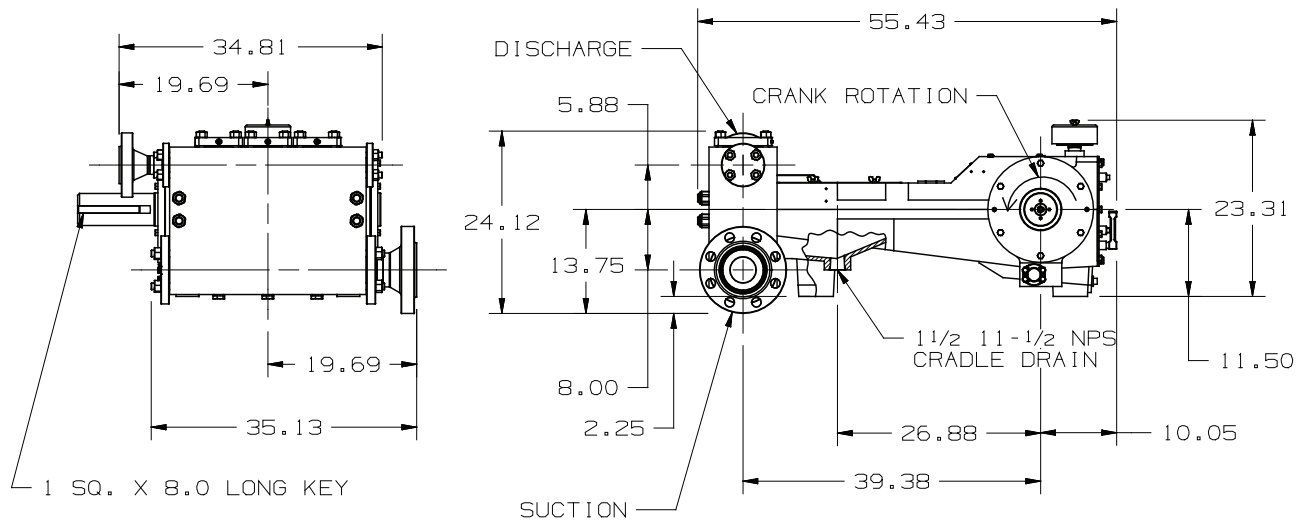
## M18 Plunger Pump Data

150 BHP Continuous Duty (190 BHP Intermittent Duty)

### Forged Pump Engineering Dimensional Outline



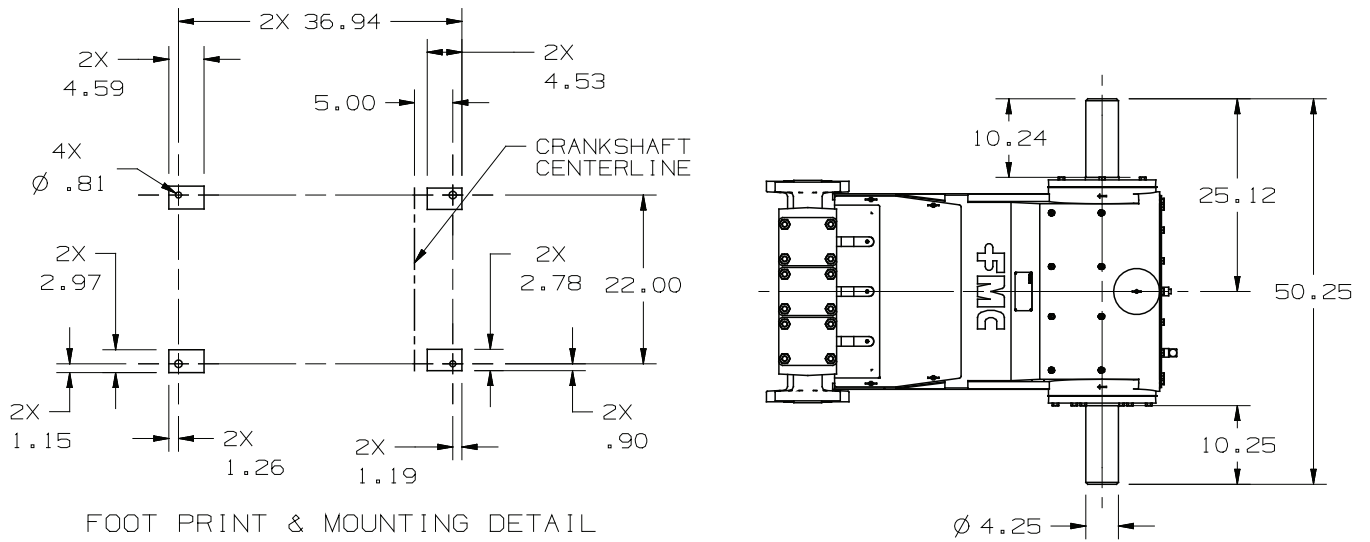
FOOT PRINT AND MOUNTING DETAIL



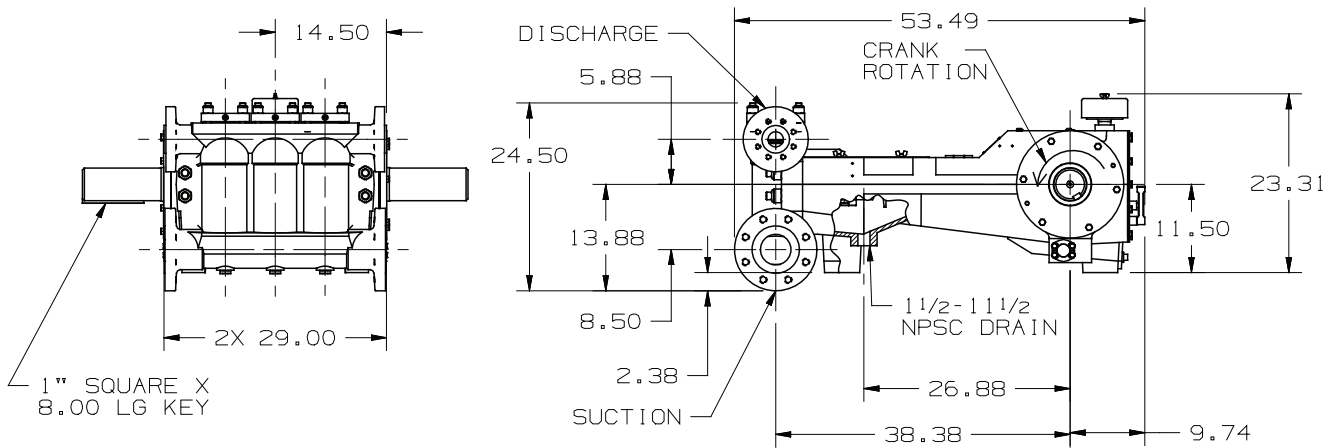
## M18 Plunger Pump Data

150 BHP Continuous Duty (190 BHP Intermittent Duty)

### Cast Pump Engineering Dimensional Outline



FOOT PRINT & MOUNTING DETAIL



• Dimensions shown are for general sizing purposes and should not be used of construction. Contact FMC for actual dimensions of pump ordered.

• FMC reserves the right to modify this information without prior notice.

• Pump drawing dimensions in inches.