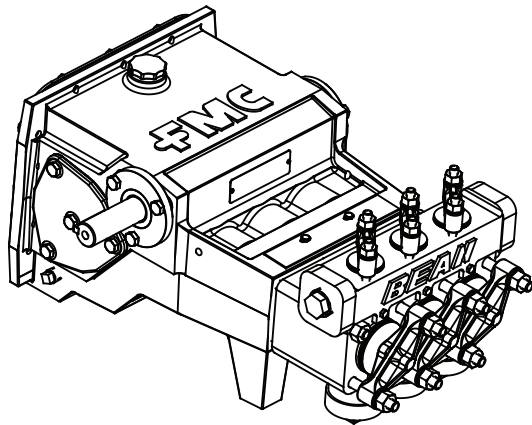


## W11 Piston Pump Data

30 BHP Continuous Duty (36 BHP Intermittent Duty)

### W11

Standard Cast ISO Drawing



## Specifications

Pump Model	W11 (metric)
Configuration	Horizontal Triplex Piston
Number of Pistons	3
Stroke Length	2.75 Inches (6.985 cm)
Frame Load Rating	6,000 lbs (2,721.6 kg)
Pump Weight (Average)	425 lbs (192.86 kg)
Direction of Rotation	Top of pinion shaft away from head
Internal Gear Ratio	3.6:1
Intermittent Duty Speed Rating	900 RPM
Continuous Duty Speed Rating	750 RPM
Ball Valve Max Speed Rating	900 RPM
Minimum Speed *	360 RPM
Mechanical Efficiency	85%
Lubrication System (Standard)	Splash, Gravity Return
Lube Oil Capacity	1 Gallon (3.78 Liters)
Lube Oil Type	SAE 30
Maximum Fluid Temperature	140 °F (250 °F Capability) 60°C (121°C Capacity)
Minimum Fluid Temperature	0 °F (-20 °F Capability) -17.8°C (-28.9°C Capacity)
Standard Suction Size	2.00 Inch NPT
Standard Discharge Size	1.25 Inch NPT
Fluid End Material	Cast Iron
Valve Types	Disc Valves, Ball Valves
Hydraulic Motor Mount	SAE C - 2 Bolt with 1.25"-14T SAE C - 4 Bolt with 1.25"-14T

\* Slower RPM can be achieved with the addition of a pressurized lubrication system

## Performance Table

Pump Model	Piston Diameter (in) / (cm)	Displacement (GAL/REV) (LITERS/REV)	Maximum Pressure (PSI) / (BAR)	Pump Capacity (GPM) / (Liters/Min) @ Input Speed (RPM)				
				360 RPM	500 RPM	635 RPM	750 RPM	900 RPM
W1118	2.250 / 5.715	0.0394 / 0.1491	1,000 / 68.95	14.2 / 53.75	19.7 / 74.57	25.0 / 94.64	29.5 / 111.67	35.5 / 134.38
W1122	2.750 / 6.985	0.0589 / 0.2230	1,000 / 68.95	21.2 / 80.25	29.5 / 111.67	37.4 / 141.57	44.2 / 167.32	53.0 / 200.63

\* Horsepower based on 85 or 90% mechanical efficiency. Actual application horsepower requirements can be calculated using the equation: BHP = (GPM \* PSI) / (1714 \* 0.85 or 0.90)

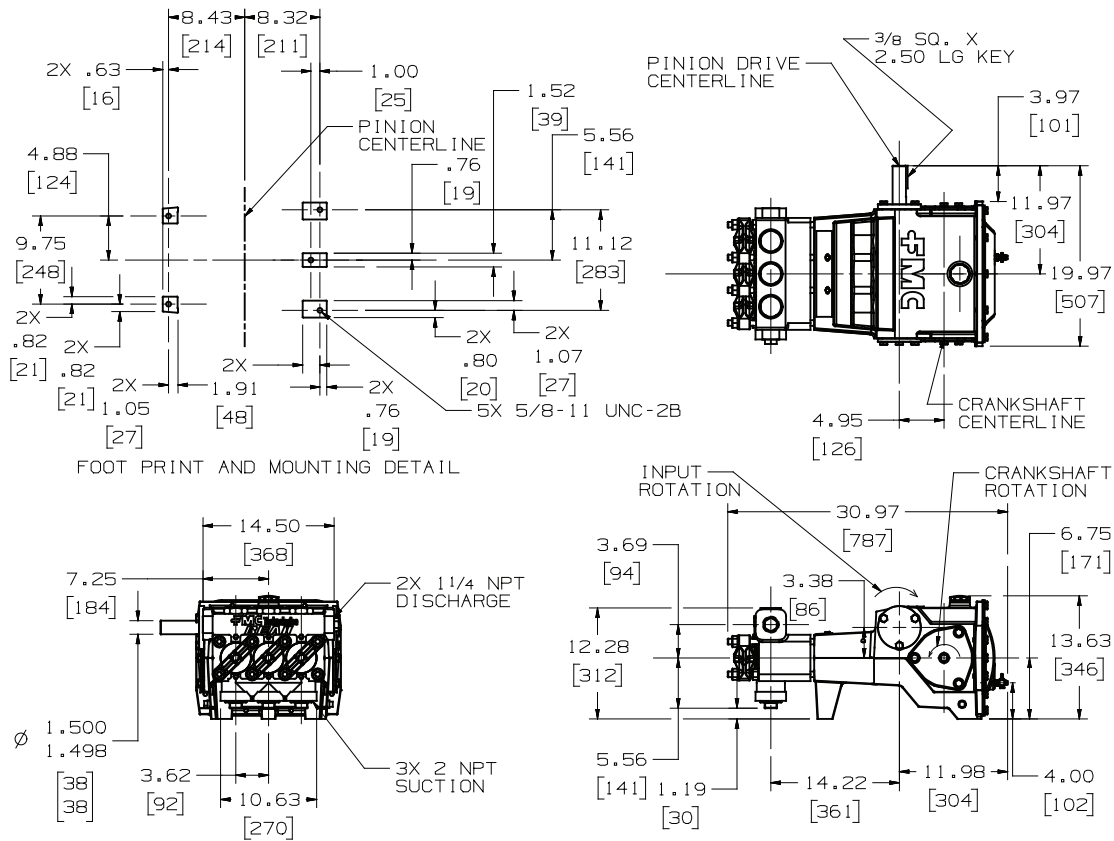
\* Pump capacities shown are based on 100% volumetric efficiency.

\* Dimensions shown are for general sizing purposes and should not be used for construction. Contact FMC for actual dimensions of pump ordered.

\* FMC reserves the right to modify this information without prior notice.

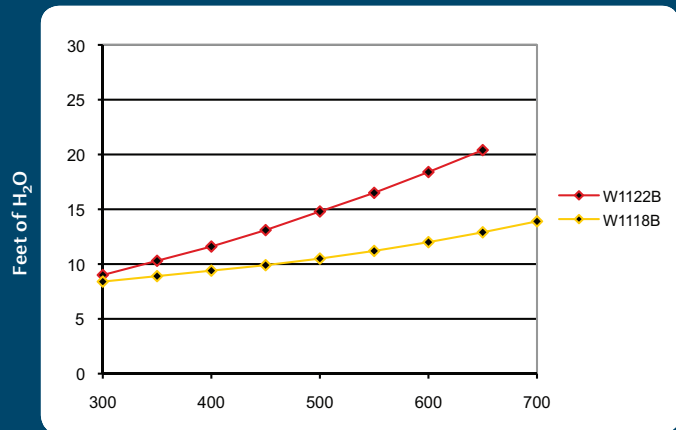
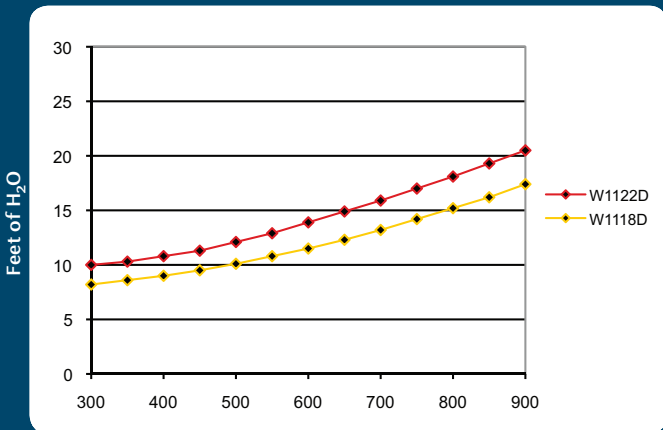
# W11

## Cast Pump Engineering Dimensional Outline



### W11 NPSHr value for Standard Disc Valves

### W11 NPSHr value for Standard Ball Valves



- FMC recommends NPSHa (available) exceeds NPSHr (required) by 5 feet of water.
- Take special consideration when calculating NPSHa. Recalculate NPSHa after pump model has been selected for more accurate values.
- NPSHr values are in feet of water. If you are pumping a different liquid than water, convert the required NPSH from water to the liquid being pumped by dividing the published NPSHr value by the specific gravity of the liquid being pumped.
- FMC published NPSHr values are based on test data collected on specific pumps at the factory and are estimated values. Actual NPSHr values for an ordered pump can only be determined by a factor test. For NPSH critical applications, contact the factory for additional information and request an NPSHr test performed on your pump before shipment.
- Pump drawing dimensions in inches.