

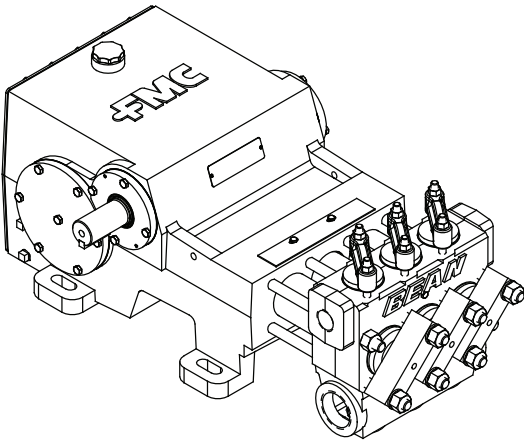
FMC Technologies

L16 Piston Pump Data

78 BHP Continuous Duty (105 BHP Intermittent Duty)

L16

Standard Cast ISO Drawing



Specifications

Pump Model	L16
Configuration	Horizontal Triplex Piston
Number of Pistons	3
Stroke Length	4.0 Inches
Frame Load Rating	7,850 lbs
Pump Weight (Average)	705 lbs
Direction of Rotation	Top of pinion shaft away from head
Internal Gear Ratio	3.94:1
Intermittent Duty Speed Rating	1,475 RPM
Continuous Duty Speed Rating	1,100 RPM
Ball Valve Max Speed Rating	900 RPM
Minimum Speed *	394 RPM
Mechanical Efficiency	85%
Lubrication System (Standard)	Splash, Gravity Return
Lube Oil Capacity	10 Quarts
Lube Oil Type	SAE 80W90
Maximum Fluid Temperature	140 °F (250 °F Capability)
Minimum Fluid Temperature	0 °F (-20 °F Capability)
Standard Suction Size	STD - 2.50 Inch NPT HV - 3.00 Inch NPT
Standard Discharge Size	STD - 1.25 Inch NPT HV - 2.00 Inch NPT
Fluid End Material	Ductile Iron, Nickel Aluminum Bronze
Valve Types	Disc Valves, Ball Valves, Abrasion Resistant (AR) Valves
Hydraulic Motor Mount	SAE C - 2 Bolt with 1.25"-14T SAE C - 4 Bolt with 1.25"-14T

* Slower RPM can be achieved with the addition of a pressurized lubrication system

STD = Standard Fluid Cylinder

HV = High Volume Fluid Cylinder

Performance Table

Pump Model	Piston Diameter (in)	Displacement (GAL/REV)	Maximum Pressure (PSI)	Pump Capacity (GPM) @ Input Speed (RPM)				
				394 RPM	750 RPM	900 RPM	1100 RPM	1475 RPM
L1614	1.750	0.0317	2,500	12.5	23.8	28.5	34.9	46.8
L1616	2.000	0.0414	2,500	16.3	31.1	37.3	45.6	61.1
L1618	2.250	0.0524	2,000	10.7	39.3	47.2	57.7	77.3
L1622	2.750	0.0783	1,300	30.9	58.7	70.5	86.1	115.5

* Horsepower based on 85 or 90% mechanical efficiency. Actual application horsepower requirements can be calculated using the equation:
 $BHP = (GPM * PSI) / (1714 * 0.85 \text{ or } 0.90)$

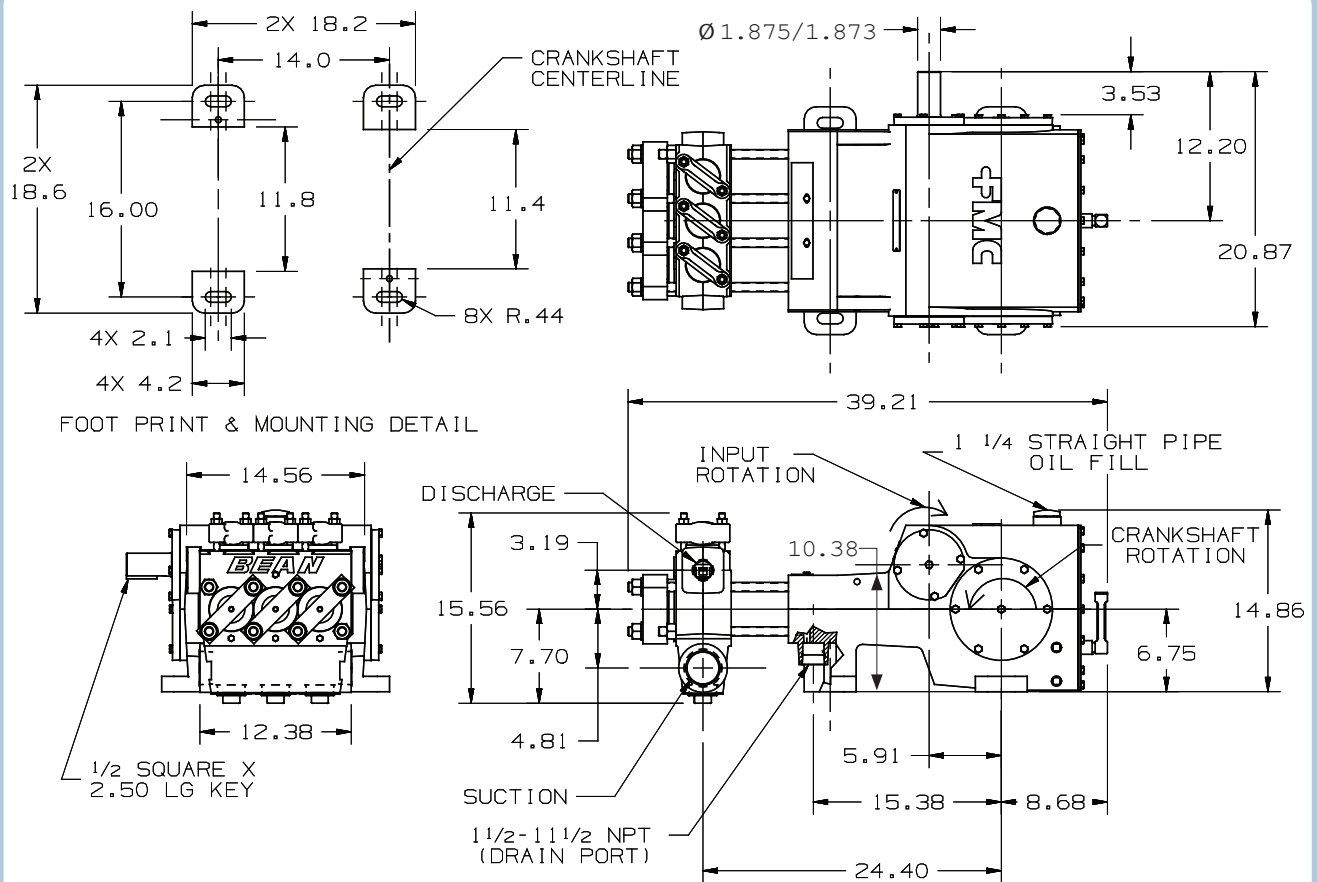
* Pump capacities shown are based on 100% volumetric efficiency.

* Dimensions shown are for general sizing purposes and should not be used for construction. Contact FMC for actual dimensions of pump ordered.

* FMC reserves the right to modify this information without prior notice.

L16

Cast Pump Engineering Dimensional Outline Standard Fluid End Shown



- FMC recommends NPSHa (available) exceeds NPSHr (required) by 5 feet of water.
- Take special consideration when calculating NPSHa. Recalculate NPSHa after pump model has been selected for more accurate values.
- NPSHr values are in feet of water. If you are pumping a different liquid than water, convert the required NPSH from water to the liquid being pumped by dividing the published NPSHr value by the specific gravity of the liquid being pumped.
- FMC published NPSHr values are based on test data collected on specific pumps at the factory and are estimated values. Actual NPSHr values for an ordered pump can only be determined by a factor test. For NPSH critical applications, contact the factory for additional information and request an NPSHr test performed on your pump before shipment.
- Pump drawing dimensions in inches.