

The **INVALCO Series 504 Valve** is perfect for maintaining back pressure on vent lines from separators, treaters, dehydrators, compressor stations, gas gathering systems, etc.

Features

- **Ductile Body** - Meets a variety of application requirements.
- **Internal Sensing Line** - Reduces the chance of blockage.
- **Nace Adaptable** - Can be modified for use in sour service.

Standard Specifications

Body

Ductile A-395

Diaphragm Case

Steel, 26 sq. in.

Containment Pressure

100 psi* (all models)

End Connections

2" FNPT

Diaphragm

Nylon reinforced Buna N

Temperature Limits

-20°F to 250°F**

Spring Ranges

0 to 100 psi (on next page).

Trim

416 Stainless with molded Viton plug, 1-3/4" orifice

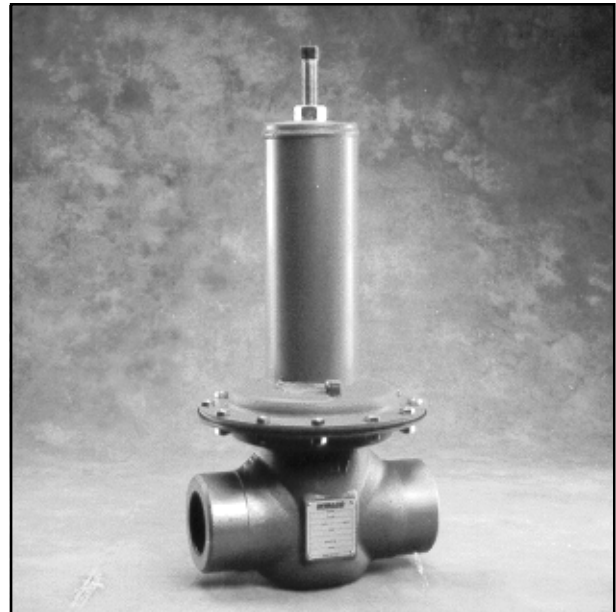
Flow Capacity

Cg: 970

Cv: 28.5

Pressure Increase Required From Full Closed to Full Open

Spring Range	Increase
0-25 psi	2.7 psi
20-40 psi	4.0 psi
40-60 psi	9.5 psi
60-100 psi	10.5 psi



Series 504 Back Pressure Valve

Settings

Any spring combination may be set to open at less than 5 psi working pressure, but, because the heavier springs are less sensitive, it is recommended that valves be selected to suit the pressure range required. The valve will be factory set at midpoint of range selected.

Installation and Operation

Valve is installed in the line so that flow pressure is exerted against the bottom of the plug. Line pressure is exerted against the diaphragm through the hollow stem connecting the diaphragm to the plug. When flow pressure exceeds the spring setting pressure, valve opens and allows excess pressure relief through the orifice of the valve and down the flow line. As pressure is relieved, spring pressure returns the plug against the seat for positive seal. All parts are interchangeable with the Series 503 Cast Iron RDSG-201 and RDSG-301.

General Notes

1. Refer to valve engineering section for valve sizing charts.
2. Cg-Cv is for fully opened valve.
3. Part numbers valid only if valve desired is exactly as described.

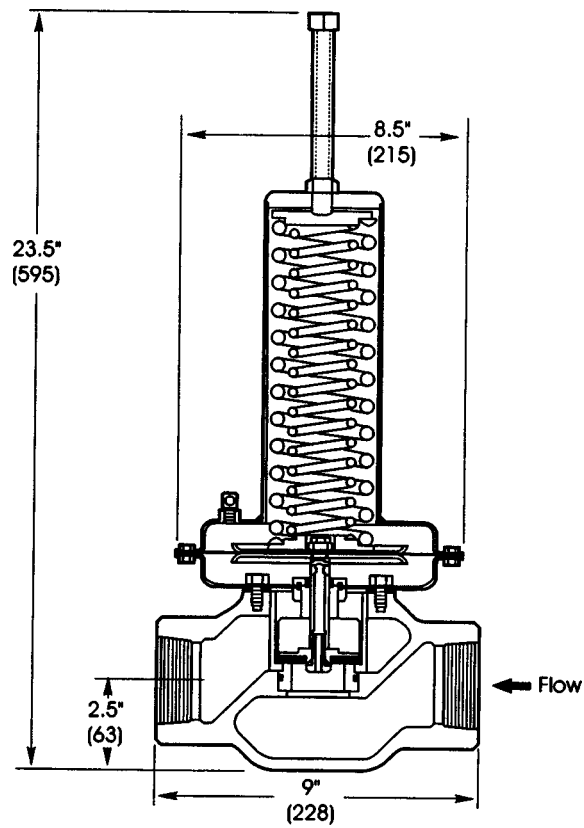
*Containment pressure is maximum working pressure and is limited by diaphragm case. However, pressures above the maximum spring setting are uncontrolled and the back pressure valve will be fully open.
**Limited by diaphragm.

Ordering Information

Size	Model Number	Part Numbers, Spring Ranges psi				Wt. (lb)
		0-25	20-40	40-60	60-100	
2"	RSDG-201-504	80006279	80006280	80006281	80006282	45

Dimensions

Inches (mm)

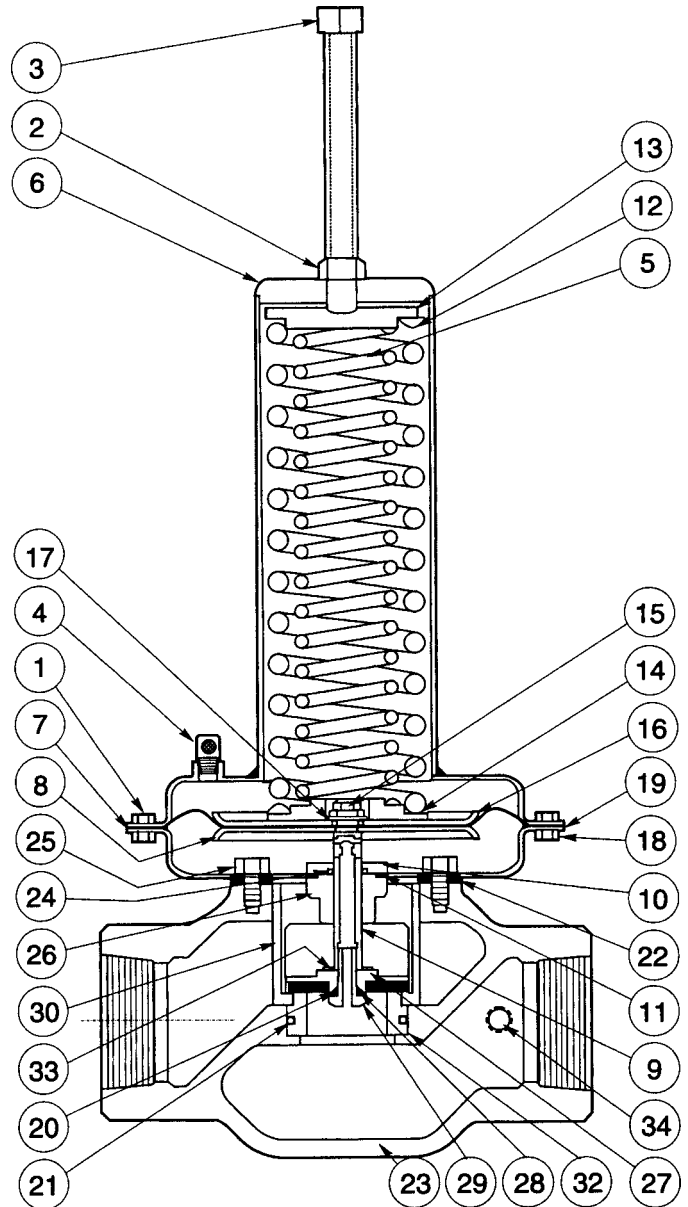


Note: Dimensions -- Inches to the nearest tenth (millimeters to the nearest whole mm), each independently dimensioned from respective engineering drawings.

Parts

Item	Note	Description	Qty.	Part No.
1		Screw 5/16-18x3/4 HHCS	12	65002073
2		Nut 5/8-11 Hex	1	65002136
3		Screw 5/8-11x5-1/2 SQHSS	1	65015572
4		1/4" Bleeder Filter	1	45002612
5	*	Spring (Inner)	1	See Chart Below
6		Upper Diaphragm Case	1	48004283
7		Diaphragm	1	45003465
8		Lower Diaphragm Plate	1	45003466
9		Stem	1	45003512
10		Stuffing Box	1	45003513
11		Gasket	1	45004455
12	*	Spring (Outer)	1	See Chart Below
13		Upper Spring Rest	1	45003991
14		Lower Spring Rest	1	45003992
15	*	Nut 3/8 - 24 Flexloc	1	65001401
16		Upper Diaphragm Plate	1	45005496
17	*	O-Ring BUN-012-90	1	67102312
18		Nut 5/16 - 18 Hex	12	65002100
19		Lower Diaphragm Case	1	45008806
20	*	O-Ring BUN-010-90	1	67101327
21	*	O-Ring BUN-226-90	1	67101534
22	*	Gasket	1	45000162
23		Body RDSG-201-504	1	45012095
24	*	O-Ring BUN-112-90	1	67101408
25		Screw 3/8-16x5/8 HHCS	4	65001380
26		Stuffing Nut Box	1	45003514
27	*	Plug	1	45001851
28		Washer 3/8 Tooth Lock	1	65004401
29		Lower Stem Plug	1	45003515
30		Seat Cage	1	45012086
32	*	Seat Ring	1	45006687
33	*	Copper Gasket	1	45001942
34		Plug, 1/4 NPT	1	45002595

*Recommended spare parts.



Setting Ranges and Stock Numbers

Item No.	12	5
Setting Range	Outside Spring	Inner Spring
0-25 psi	45003086	None
20-40 psi	45003086	45003421
40-60 psi	45003941	None
60-100 psi	45003941	45003940

www.fmcinvalco.com

The specifications contained herein are subject to change without notice and any user of said specifications should verify from the manufacturer that the specifications are currently in effect. Otherwise, the manufacturer assumes no responsibility for the use of specifications which may have been changed and are no longer in effect.

FMC INVALCO Fluid Control P.O. Box 1377, Stephenville, TX 76401, Phone: 254/968-2181, FAX: 254/968-5709, Toll Free: 800/468-2526

Printed in U.S.A. ©2/01 FMC INVALCO All rights reserved. Issue/Rev. 0.4 (2/01)