

The INVALCO Series 470 Valve is perfect for use when precise burner control is required. Suitable applications include thermostat service or fuel shut-off for oil, gas, glycol, and distillate service.

### Features

- **Soft Plug** - Assures bubble tight shut-off.
- **Adjustable Spring** - Meets various application demands.
- **Steel Body** - Meets most application requirements.
- **Nace Adaptable** - Can be modified for use in sour service.

### Standard Specifications

#### Body Material

Carbon Steel

#### End Connections

3/4" and 1" FNPT

#### Maximum Working Pressure

275 psi

#### Temperature Limits

-20°F to 250°F

#### Body Cover

18-8 Stainless

#### Diaphragm Operator

Case: Cast aluminum

Diaphragm: Nylon Reinforced Buna N

Area: 10 sq. in.

Maximum Recommended Operating Pressure 70 psi

Maximum Containment Pressure 100 psi



Series 470 Steel Valve

#### Packing

Standard O-Ring, Buna N

#### Stem Material

303 Stainless Steel

#### Plug and Seat

Soft Seat

#### Maximum Differential Pressure

Flow-Over-the-Seat: 50 psi

Flow-Under-the-Seat: 100 psi

### Ordering Information

Size	Model Number	Max. W.P.	Full Open		Part Number	Weight (lb)
			Cv	Cg		
3/4"	DSG-7501-470	275 psi	3.3	96	80004506	10
1"	DSG-101-470	275 psi	3.3	96	80004302	10

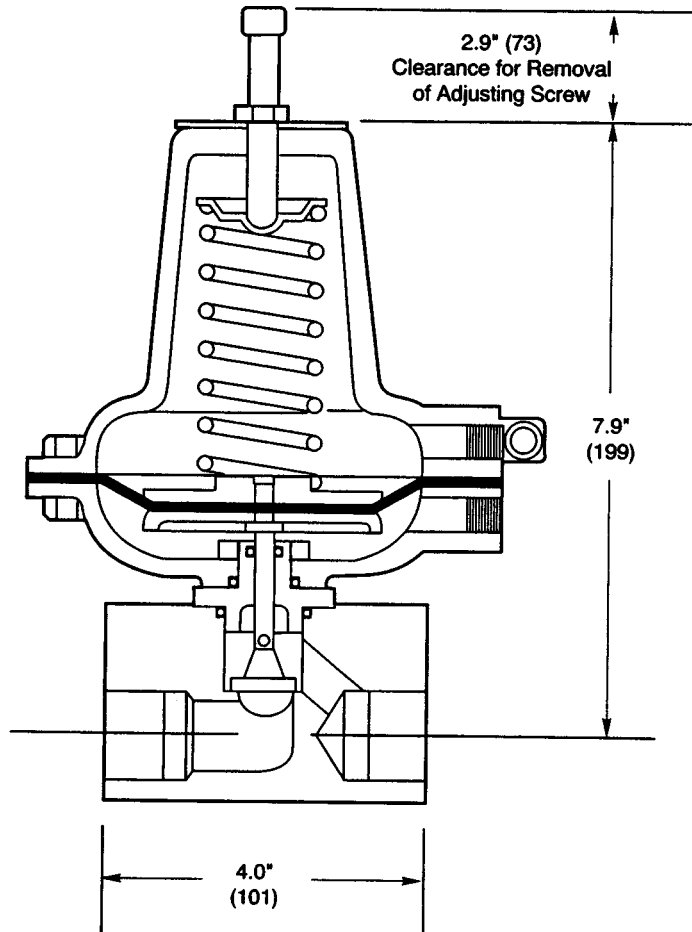
#### General Notes:

1. Cv and Cg values are for fully open inner valve.
2. Part numbers applicable only when valve desired is exactly as described above.
3. To order specify Model Number, Part Number, Trim Description.
4. See attached parts list.

## Dimensions

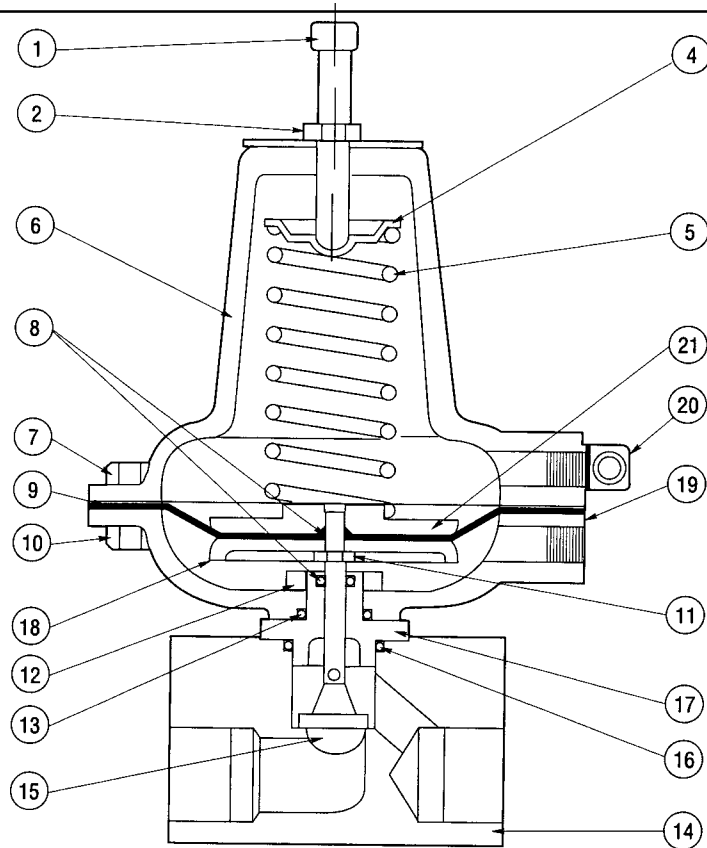
---

Inches (mm)



**Note:** Dimensions -- Inch to the nearest tenth (millimeters to the nearest whole mm), each independently dimensioned from respective engineering drawings.

## Parts



Item	Notes	Description	Qty.	Part No.
1		Screw 3/8-16 x 2-1/2 SHSS	1	65003335
2		Nut 3/8-16 Hex Jam	1	65008477
4		Upper Spring Rest	1	45003556
5	*	Spring	1	45008532
6		Upper Diaphragm Case	1	45003286
7		Screw 5/6-18 x 3/4 HHCS	8	65002073
8	*	O-Ring BUN-010-90	2	67101327
9	*	Diaphragm	1	45004053
10		Nut 5/16 - 18 Hex	8	65002100
11		Nut 1/4 - 28 Jam	1	65011436
12		Nut (DSG-7501)	1	45003184
		Nut (DSG-101)	1	65003917
13	*	O-Ring BUN-113-90	1	67101636
14		Body (DSG-7501)	1	45003565
		Body (DSG-101)	1	45009993
15	*	Stem and Plug	1	48004222
16	*	O-Ring BUN-212-90	1	67102151
17		Body Cover	1	45003225
18		Lower Diaphragm Plate	1	45003464
19		Lower Diaphragm Case	1	45003287
20		1/4" NPT Bleeder	1	45002612
21		Upper Diaphragm Plate	1	45003342

\* Recommended Spare Parts

[www.fmcinvalco.com](http://www.fmcinvalco.com)

The specifications contained herein are subject to change without notice and any user of said specifications should verify from the manufacturer that the specifications are currently in effect. Otherwise, the manufacturer assumes no responsibility for the use of specifications which may have been changed and are no longer in effect.

**FMC INVALCO** Fluid Control P.O. Box 1377, Stephenville, TX 76401, Phone: 254/968-2181, FAX: 254/968-5709, Toll Free: 800/468-2526

Printed in U.S.A. © 2/01 FMC INVALCO All rights reserved. Issue/Rev. 0.4(2/01)