

The **INVALCO Series 465 Valve** is commonly used as a fuel valve. This could be for thermostat service, fuel shutoff, oil, gas, water, glycol, and distillate service.

Features

- **Carbon Steel Body** - Meets all application requirements.
- **Soft Plug** - Assures tight shutoff.
- **Small Size** - Assures precise modulation of fluid.

Specifications

Body Material

Carbon Steel

Body Cover

416 Stainless

End Connections

1/2" or 1/4" FNPT

Diaphragm Operator

Aluminum, 3 sq. in. nylon reinforced Buna-N diaphragm. Maximum working pressure 75 psi.

Packing

O-Ring

Maximum Working Pressure

125 psi

Temperature Limits

-20°F to 250°F

Stem Material

303 Stainless Steel

Plug

Buna-N



Series 465, Steel Body Valve

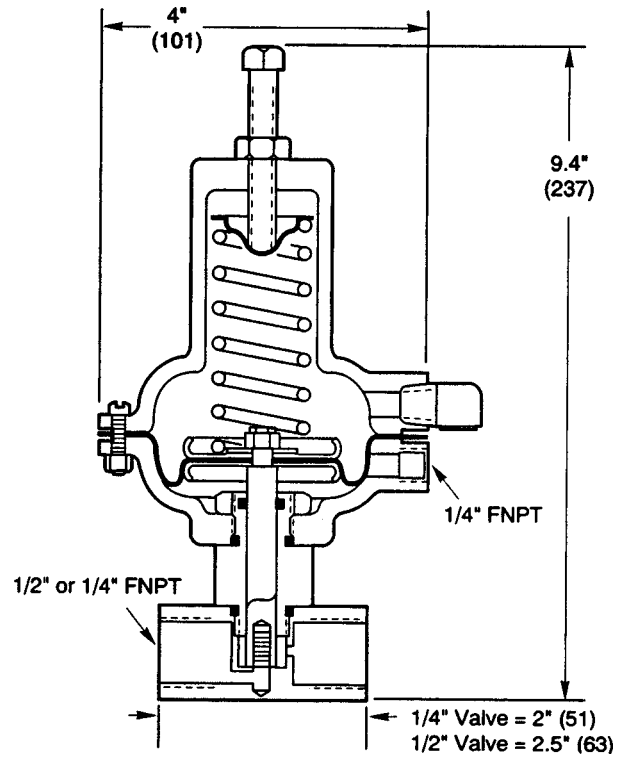
Ordering Information

Size	Model	Full Open		Part No.	Weight (lb)
		Cv	Cg		
1/4"	DSG-2501-B-465	0.5	15	80004484	3
1/2"	DSG-5001-B-465	0.5	15	80004492	3

General Notes:

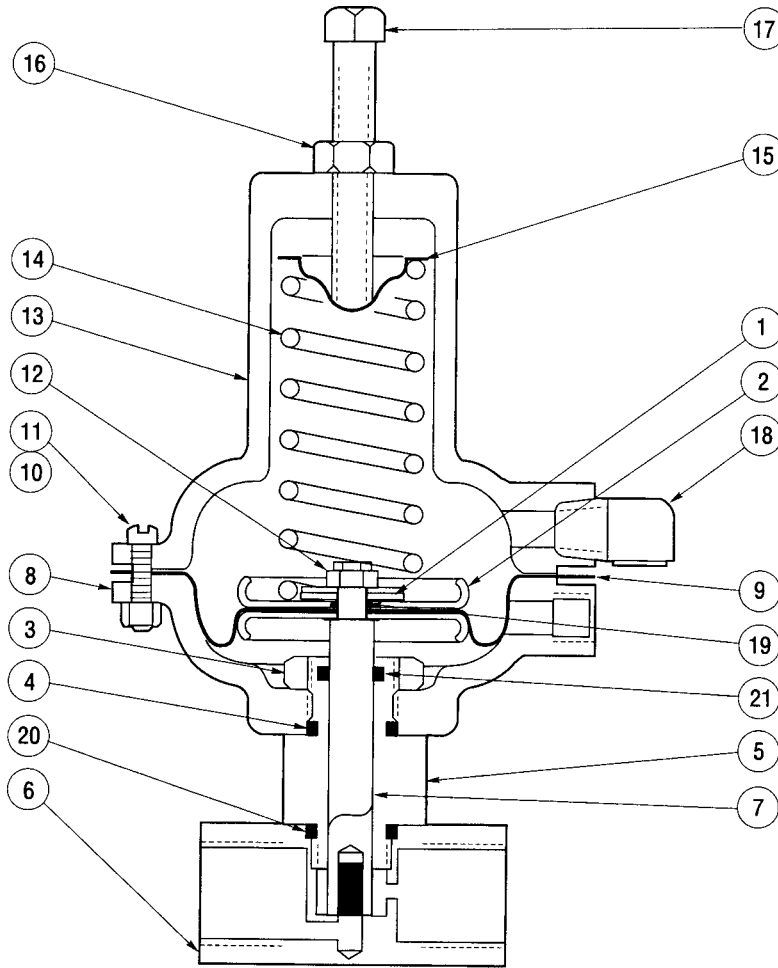
1. Cv and Cg values are for fully open inner valve.
3. Part numbers applicable only when valve desired is exactly as described above.
4. To order specify Model Number, Part Number, Trim Description.
5. See attached parts list.

Dimensions



Note: Dimensions -- Inches to the nearest tenth (millimeters to the nearest whole mm), each independently dimensioned from respective engineering drawings.

Parts



Item	Notes	Description	Qty.	Part No.
1		Washer	2	45003186
2		Diaphragm Plate	2	45003159
3		Nut	1	45003184
4	*	O-Ring BUN-113-90	1	67101636
5		Body Cover	1	45012773
6		Body DSG-5001-B (1/2" NPT)	1	45012772
		Body DSG-2501-B (1/4" NPT)	1	45012771
7	*	Plug and Stem	1	48012775
8		Lower Diaphragm Case	1	45002157
9	*	Diaphragm	1	45003158
10		Screw 10-32x5/8 FHMS	8	65011039
11		Nut 10-32 Hex	8	65011075
12		Nut 1/4-28 Flexloc	1	65003530
13		Upper Diaphragm Case	1	45002455
14	*	Spring	1	45004446
15		Upper Spring Rest	1	45003181
16		Nut 3/8-16 Hex Jam	1	65011037
17		Screw 3/8-16 x 2-1/2 SQHSS	1	65003335
18		1/4" Bleeder Filter	1	45002612
19	*	O-Ring BUN-008-90	1	67102310
20	*	O-Ring BUN-112-90	1	67101408
21	*	O-Ring BUN-012-90	1	67102312

www.fmcinvalco.com

The specifications contained herein are subject to change without notice and any user of said specifications should verify from the manufacturer that the specifications are currently in effect. Otherwise, the manufacturer assumes no responsibility for the use of specifications which may have been changed and are no longer in effect.

FMC INVALCO Fluid Control P.O. Box 1377, Stephenville, TX 76401, Phone: 254/968-2181, FAX: 254/968-5709, Toll Free: 800/468-2526

Printed in U.S.A. © 2/01 FMC INVALCO All rights reserved. Issue/Rev. 0.4 (2/01)