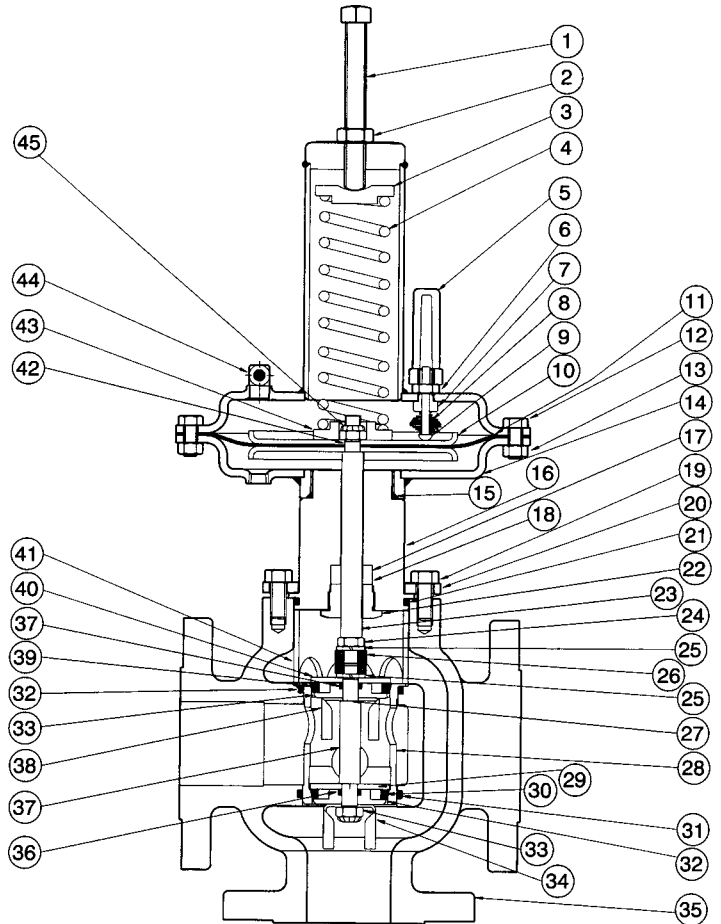


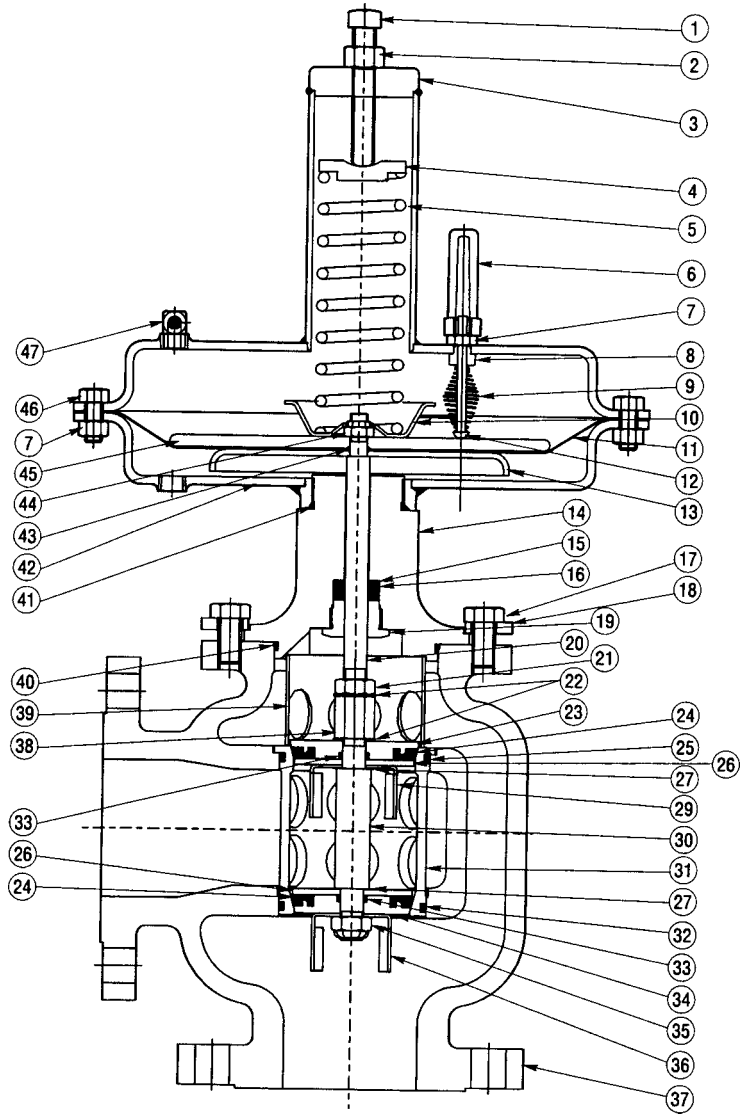
## Parts - 2" 455 Valve

Item	Description	Qty.	Part No.
1	Screw 1/2-13x4 Shop	1	65015571
2	Nut 1/2-13 Hex Jam	1	65008551
3	Upper Spring Rest	1	45001858
4	Spring, 180#	1	45002044
5	Travel Indicator Sightglass	1	45004223
6	Nut 3/8-16 Hex	1	65001966
7	Bushing	1	45003129
8	Spring	1	45004315
9	Travel Indicator	1	45004270
10	Diaphragm Plate	2	45003466
11	Diaphragm	1	45003465
12	Screw 5/16"x3/4" HHCS	12	65002073
13	Nut 5/16 Hex	12	65002100
14	Low er Diaphragm Plate	1	48004018
15	O-Ring BUN-225-90	1	67101299
16	Body Cover	1	45015533
17	Packing Ring Flat 1/2" x 1"	1	45001948
18	Packing Ring Regular 1/2" x 1"	3	45001947
19	Screw 3/8" x 7/8" HHCS	4	65003440
20	Clamp Ring	1	45003128
21	O-Ring BUN-230-90	1	67101540
22	Packing Nut	1	45001939
23	Upper Stem	1	45010519
24	Nut 3/8-24 Hex	1	65002513
25	Washer 3/8" Tooth Lock	2	65004401
26	Connector Stem	1	45010518
27	Shim .010 THK	3	45011336
28	Seat Cage	1	45016100
29	Washer Low er	1	45002433
30	Low er Seal	1	45002424
31	O-Ring BUN-228-90	2	67101530
32	Washer Seal	2	45002436
33	Nut 3/8 Flexloc	1	65003075
34	Low er Guide	1	45002435
35	Body 2" 150# Angle	AR	45012015
	Body 2" 150# Globe	AR	45012099
36	O-Ring, BUN-110-90	2	67101532
37	Low er Stem	1	45002429
38	Upper Guide	1	45002434
39	Upper Seal	1	45002423
40	Upper Washer	1	45002432
41	Cage Spacer	1	45002431
42	O-Ring BUN-011-90	1	67101725
43	Low er Spring Rest	1	45001859
44	1/4" Bleeder Filter	1	45002612
45	Nut 3/8-24 Flexloc	1	65001401
46	Upper Diaphragm Case	1	48004019



## Parts - 3" and 4" 455 Valves

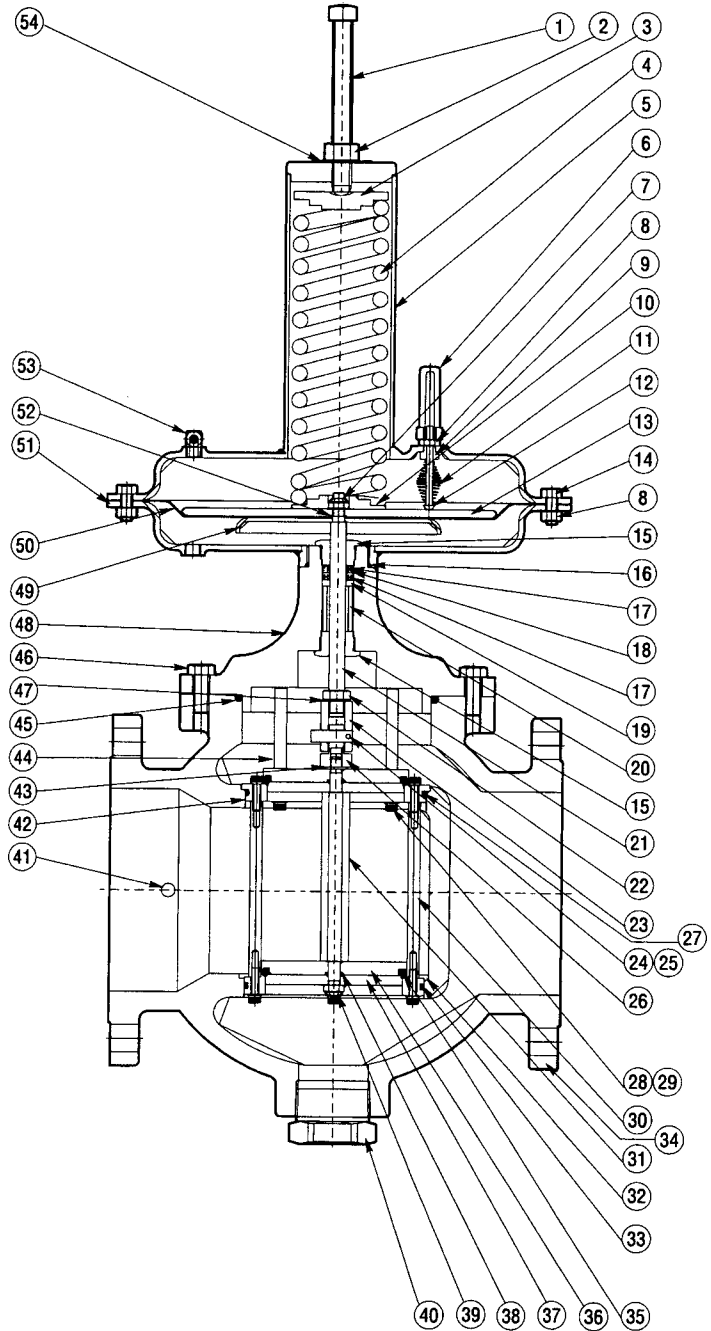
Item	Description	Qty.	Part No.
1	Screw 1/2-13x3 SQHSS	1	65000525
2	Nut 1/2-13 Hex Jam	1	65008551
3	Upper Diaphragm Case	1	48004020
4	Upper Spring Rest	1	45001858
5*	Spring	1	45008406
6	Sightglass	1	45004223
7	Nut 3/8-16 Hex	17	65001966
8	Bushing	1	45003129
9	Spring	1	45004315
10	Travel Stop	1	45002343
11*	Diaphragm	1	45003460
12	Travel Indicator	1	45004277
13	Low er Diaphragm Plate	1	45001789
14	Body Cover	1	45015639
15*	Packing Ring Flat 1/2"x1"	1	45001948
16*	Packing Ring Regular 1/2"x1"	3	45001947
17	Screw 1/2-13x1 HHCS	4	65002852
18	Clamp Ring	1	45003413
19	Packing Nut	1	45001939
20	Upper Stem	1	45010520
21	Nut 1/2-20 Hex Jam	1	65005386
22@	Washer 1/2 Tooth Lock	2	65005389
23@	Upper Plug	1	45003390
24@	Seal	2	45003359
25@	O-Ring BUN-234-90	1	67101736
26@	Plug Cap	2	45003392
27@	Shim .005 THK	AR	45012496
*	Shim .010 THK	AR	45016285
29@	Upper Stem Guide	1	45003384
30@	Low er Stem	1	45003384
31@	Seat Cage	1	45016102
32@	O-Ring BUN-233-90	1	67102331
33@	O-Ring BUN-112-90	2	67101408
34@	Low er Plug	1	45003395
35@	Nut 1/2-20 Flexloc	1	65003402
36@	Low er Stem Guide	1	45003386
37	Body 3" 150# Angle	AR	45012016
	Body 4" 150# Angle	AR	45012017
	Body 3" 150# Globe	AR	45012100
	Body 4" 150# Globe	AR	45012101
38@	Connector Stem	1	45010521
39@	Cage Spacer	1	45003389
40	O-Ring BUN-237-90	1	67102334
41@	O-Ring BUN-225-90	1	67101299
42	Low er Diaphragm Case	1	48003459
43	O-Ring BUN-011-90	1	67101725
44	Nut 3/8-24 Flexloc	1	65001401
45	Upper Diaphragm Plate	1	45002776
46	Screw 3/8-16x7/8 HHCS	16	65003440
47	1/4" Bleeder Filter	1	45002612
51	Plug 1/4" NPT	AR	45002595



\* Recommended spare parts.  
 @ Included in Trim Set 83000113.

## Parts - 6" 455 Valve

Item	Description	Qty.	Part No.
1	Screw 5/8-11x5-1/2 SQHSS	1	65015572
2	Nut 5/8-11 Hex	1	65002136
3	Upper Spring Rest	1	45003991
4*	Spring	1	45003941
5	Upper Diaphragm Case	1	48006312
6	Sightglass	1	45004223
7	Nut 3/8-24 Flexloc	1	65001401
8	Nut 3/8-16 Hex	21	65001966
9	Bushing	1	45001329
10	Low er Spring Rest	1	45003992
11	Spring	1	45004315
12	Travel Indicator	1	45004277
13	Upper Diaphragm Plate	1	45004506
14	Screw 3/8-16x7/8 HHCS	20	65003440
15	Packing Nut	2	45001939
16	O-Ring BUN-225-90	1	67101299
17*	Packing Ring Reg 1/2"x1"	2	45001947
18*	Packing Ring Flat 1/2x1"	2	45001948
19	Packing Follow er	1	45001937
20	Packing Spacer	1	45001938
21	Upper Stem	1	45006446
22	Nut 1/2-20 Hex Jam	1	65005386
23	Stem Connector	1	45006447
24	Hinge Pin	1	45006265
25*	Cotter Pin 1/8x1-1/2	1	79006347
26@	Stem Adapter	1	45006273
27@	O-Ring BUN-254-90	1	67106178
28@	Screw 1/4-20x7/8 SHCS	12	65006180
29@	Washer 1/4" Lock	8	65006386
30@	Cage Pin	4	45006274
31@	Low er Stem	1	45006272
32@	Low er Seat	1	45006268
33@	O-Ring BUN-253-90	1	67106465
34	Body 6" Angle	AR	45012564
	Body 6" Globe	AR	45014487
35@	O-Ring VIT-346-75	2	67306345
36@	Plug Body	2	45006270
37@	Plug Cap	2	45006271
38@	O-Ring 3/8" I.D. BUN-110-90	2	67101532
39@	Nut 3/8-24 Flexloc	1	65003075
40	Plug 2" NPT (Globe body only)	AR	45011095
41	Plug 1/4" NPT (Globe only)	AR	45002595
42@	Upper Seat	1	45006269
43@	Washer 3/8 Tooth Lock	1	65004401
44@	Upper Cage Pin	4	45006275
45*	O-Ring BUN 437-90	1	67106179
46	Screw 1/2-13 x 1-1/4 HHCS	8	65000176
47@	Washer 1/2" Tooth Lock	1	65005389
48	Body Cover	1	45012567
49	Low er Diaphragm Plate	1	45001789
50*	Diaphragm	1	45004306
51	Low er Diaphragm Case	1	48001905
52*	O-Ring BUN-011-90	1	67101725
53	1/4" Bleeder Filter	1	45002612



\* Recommended spare parts.  
 @ Included in Trim Set 83000113.