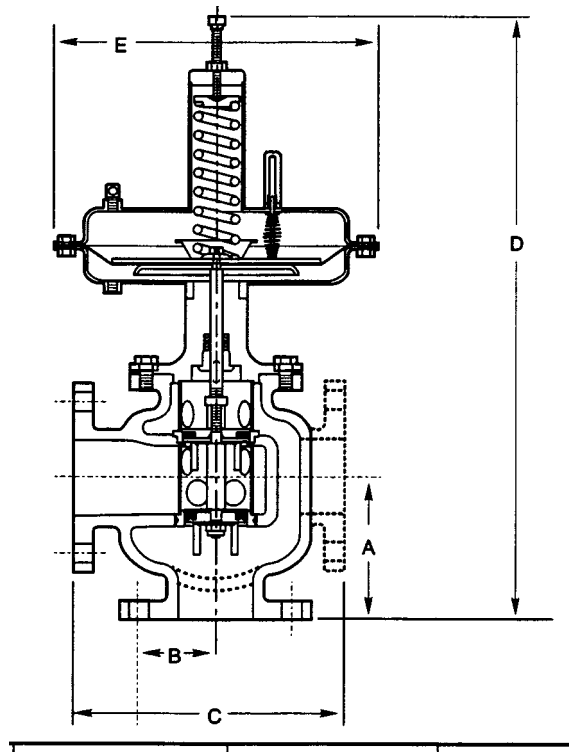


## Ordering Information

Globe Body						
Size	Model Number	Topworks Size	Cv	Cg	Part Number	Weight (lbs)
2"	DFG-201-455	20	44.0	1450	80003636	44
3"	DFG-301-455	50	81.6	2690	80003637	90
4"	DFG-401-455	50	89.8	2780	80003638	111
6"	DFG-601-455	80	540.0	16,700	80003639	218
Angle Body						
Size	Model Number	Topworks Size	Cv	Cg	Part Number	Weight (lbs)
2"	DFA-201-455	20	44.0	1450	80003631	42
3"	DFA-301-455	50	81.6	2690	80003632	88
4"	DFA-401-455	50	89.8	2780	80003633	109
6"	DFA-601-455	80	550.0	17,050	80003634	218

## Dimensions

Inches (mm)



Model	A	B	C	D	E
DFA-201	4.3" (108)	4.0" (101)	--	22.4" (567)	8.4" (214)
DFG-201	4.4" (85)	--	8.0" (203)	21.8" (551)	8.4" (214)
DFA-301	4.6" (142)	5.5" (139)	--	25.0" (633)	12.5" (317)
DFG-301	--	--	11.0" (279)	23.9" (605)	12.5" (317)
DFA-401	4.4" (163)	7.3" (184)	--	25.9" (655)	12.5" (317)
DFG-401	--	--	12.8 (323)	23.9" (605)	12.5" (317)
DFA-601	4.8" (198)	8.3" (209)	--	31.0" (785)	14.8" (374)
DFG-601	--	--	14.5" (367)	30.8" (779)	14.8" (374)

**Note:** Dimensions -- Inches to the nearest tenth (millimeters to the nearest whole mm), each independently dimensioned from respective engineering drawings.