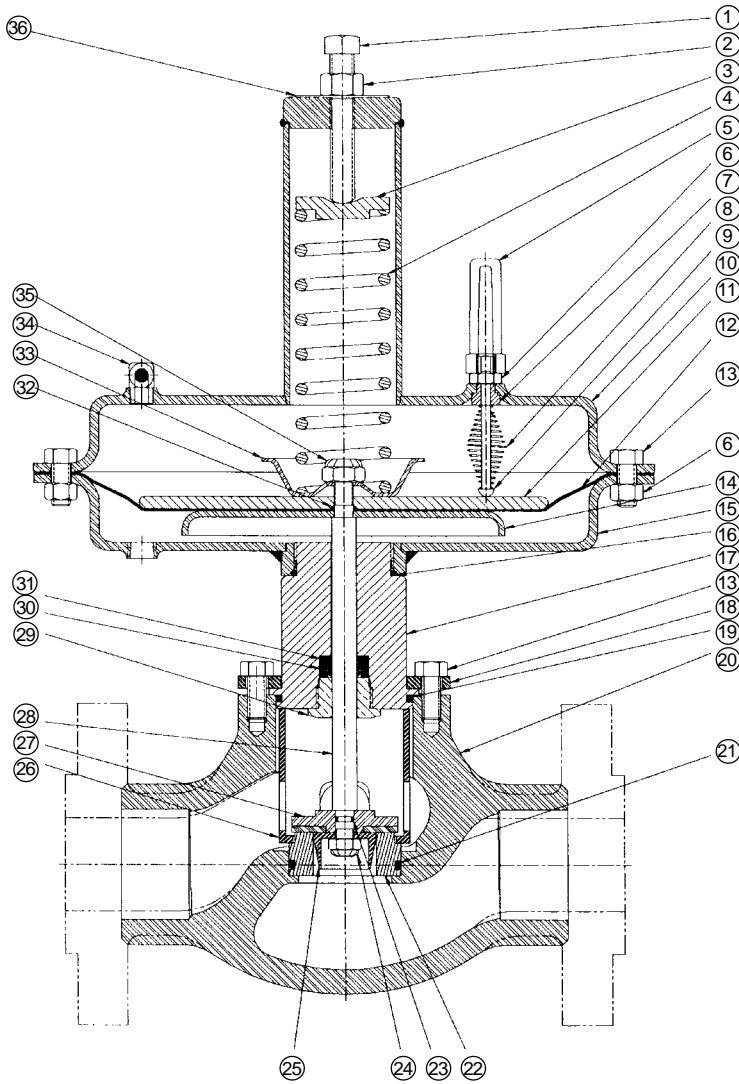


Parts Information



Item	Part No.	Description	Qty.
1	65000525	Screw 1/2 x 3 SQHSS ZP Oval PT	1
2	65008551	Nut 1/2 Thin Hex CP	1
3	45001858	Upper Spring Rest	1
4	45008406	Spring, #50 TW Standard	1
5	45004223	Travel Indicator Sightglass	1
6	65001966	Nut 3/8 Hex ZP	17
7	45003129	Bushing Travel Indicator	1
8	45004315	Spring, Travel Indicator	1
9	45004275	Travel Indicator, 2 1/4" LG	1
10	48004020	Case, Upper Diaphragm #50	1
11	45002776	Diaphragm Plate, Bevel, #50 TW	1
12	45003460	Diaphragm, #50 Molded	1
13	65003440	Screw, 3/8" x 7/8" HHCS ZP	24
14	45001789	Diaphragm Plate, Lower #50 TW	1
15	48003459	Case, Lower Diaphragm #50	1
16	67101299	O-Ring, 1 7/8" x 1/8", BUN-225-90	1
17	45015533	Body Cover, DSG-201	1
18	45011972	Ring, Clamp, DFG-202	1
19	67101540	O-Ring, 2 1/2" x 1/8", BUN-230-90	1
20	45011981	Body, 2" 150#, Globe Series 436	AR
20	45011984	Body, 2" 600#, Globe Series 436	AR
20	45012097	Body, 2" NPT Globe Series 416	AR
21	67101534	O-Ring 2 1/2" x 1/8" BUN-226-90	1
22	45003161	Seat 303 SS, 1 1/4 Throttling	AR
22	45006687	Seat 303 SS, 1 3/4 Throttling	AR
23	67101327	O-Ring, 1/4" x 1/16", BUN-010-90	1
24	65003075	Nut 3/8, Thin Flexloc SS	AR
24	65004503	Nut 3/8, Flexloc Reg	AR
25	45015538	Throttle Nose, 1-1/4"	AR
25	45015539	Throttle Nose, 1-3/4"	AR
26	45011946	Cage, Series 416,436,508 Vlvs	1
27	45001851	Plug, SST/Viton DSG-201	1
28	45011947	Stem, DSA-214	1
29	45001939	Packing Nut	1
30	45001947	Packing Ring 1/2 x 1 Reg	3
31	45001948	Packing Ring 1/2 x 1 Flat	1
32	67101725	O-Ring, 5/16 x 1/16, BUN-011-90	1
33	45002343	Stop, Travel, Valve & Actuator	1
34	45002612	1/4 NPT Bleeder Filter	1
35	65001401	Nut, 3/8, Flexloc ZP	1
36	45012817	Caution Tag, Valve 1/2 Hole	1
37	45300000	Name Plate, Blank	1
38	65007005	Screw 2-PK-18, U-Drive, ZP	4
39	45002595	Plug, 1/4" NPT Hex Head, FST	2

† Recommended Spare Parts

AR - As Required