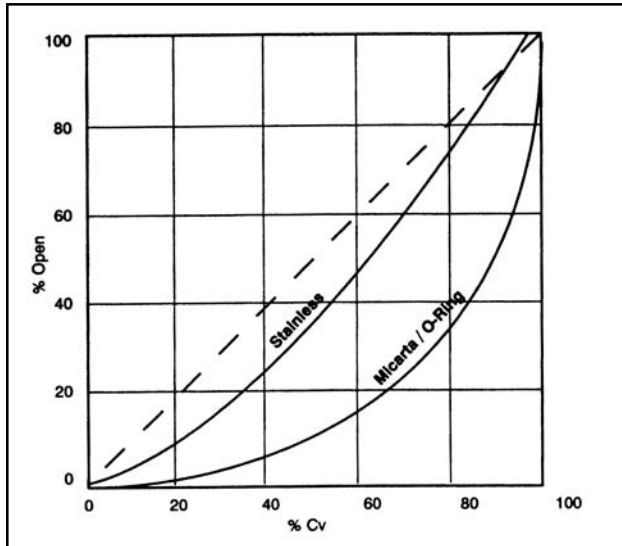
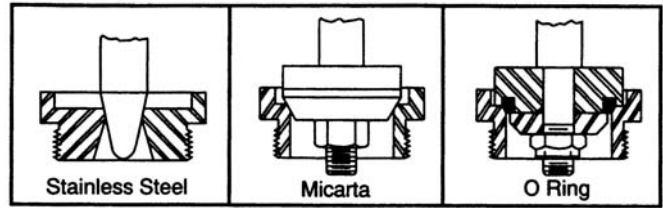


**Trim Characteristics**

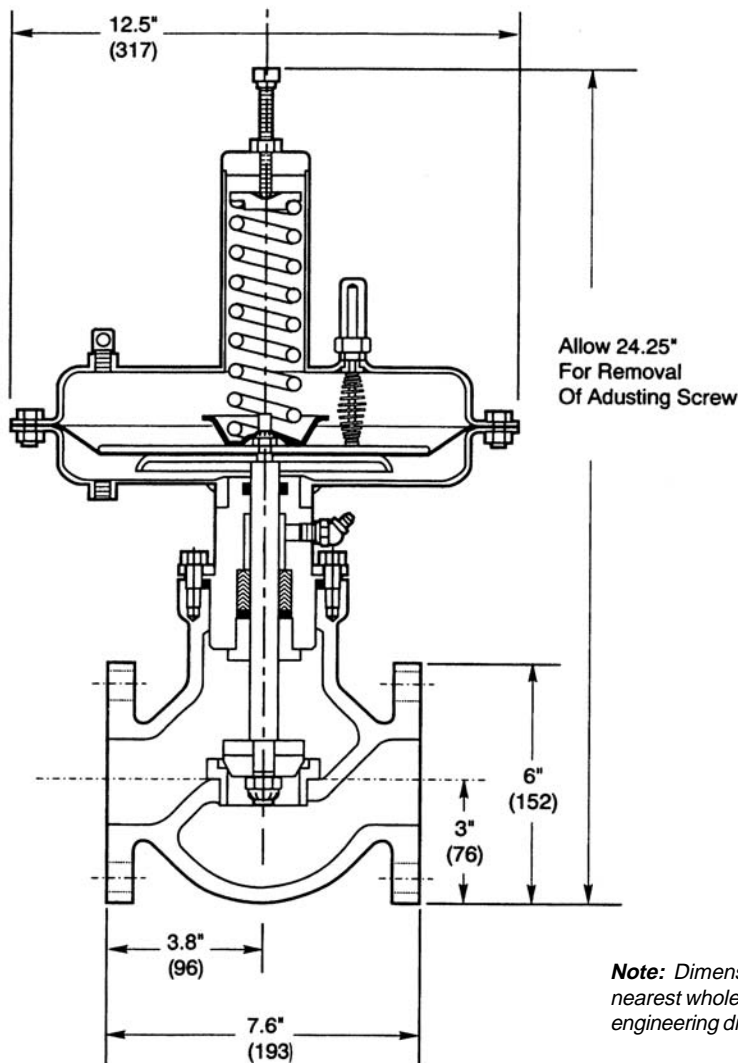


**Trim Styles**



Refer to Engineering Section for Valve Sizing Charts

**Dimensions**



**Note:** Dimensions -- Inches to the nearest tenth (millimeters to the nearest whole mm), each independently dimensioned from respective engineering drawings.