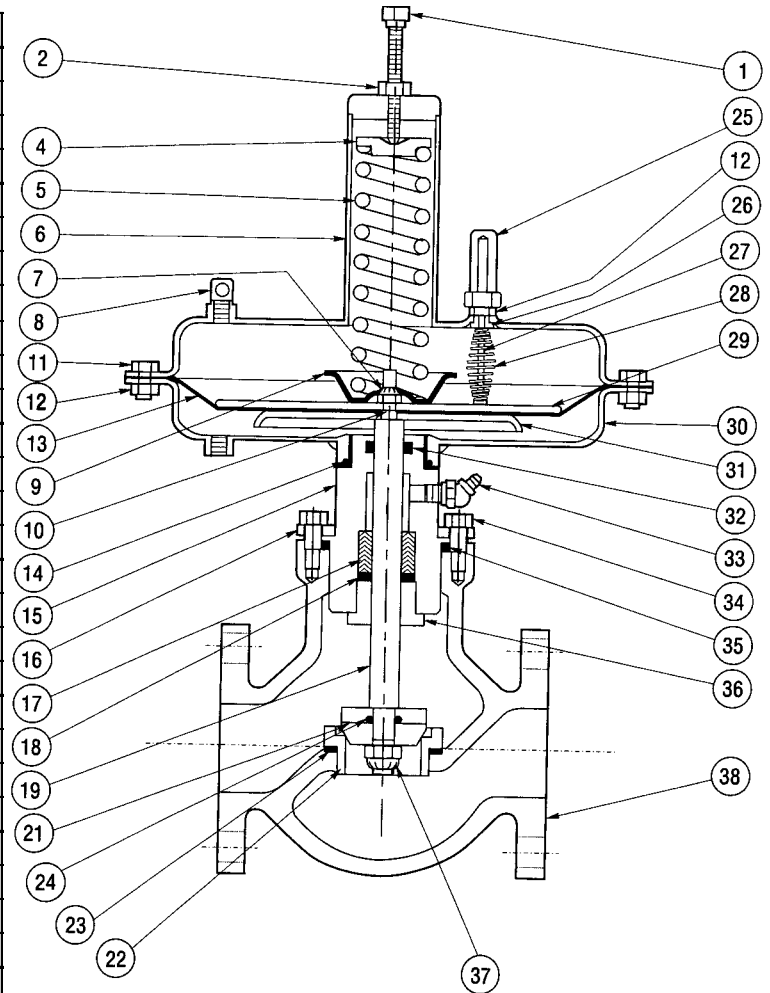


Parts

Item	Notes	Description	Qty	Part No.
1		Screw 1/2-13 x 4 SQHS	1	65015571
2		Nut 1/2-13 Hex	1	65008551
4		Upper Spring Rest	1	45001858
5	*	Spring	1	45008406
6		Upper Diaphragm Case	1	48004020
7		Nut 3/8-24 Flexloc	1	65001401
8		1/4" Bleeder Filter	1	45002612
9		Low er Spring Rest	1	45002343
10	*	O-Ring BUN-011-90	1	67101725
11		Screw 3/8-16 x 7/8 HHCS	16	65003440
12		Nut 3/8-16 Hex	17	65001966
13	*	Diaphragm	1	45003460
14	*	O-Ring BUN-225-90	1	67101299
15		Body Cover/Stem Guide	1	45003127
16		Clamp Ring	1	45003128
17	*	Packing Set	1	45001550
18	*	Wiper Ring	1	45004650
19		Stem	1	
20		Trim Washer	1	45001260
21		Plug	1	
22		Seat	1	
23	*	Seat Gasket	1	45001236
24	*	O-Ring BUN-112-90	1	67101408
25	*	Travel Indicator Sight Glass	1	45004223
26		Bushing	1	45003129
27		Travel Indicator	1	45004275
28		Spring	1	45004315
29		Upper Diaphragm Plate	1	45002776
30		Low er Diaphragm Case	1	48003459
31		Low er Diaphragm Plate	1	45001789
32	*	O-Ring BUN-210-90	1	67101263
33		Zerk Grease Fitting	1	45001567
34		Screw /Clamp Ring 3/8-16x3/4 HHCS	4	65001869
35	*	O-Ring BUN-232-90	1	67101262
36		Packing Nut	1	45001549
37		Nut 1/2-13 Flexloc	1	65004703
38		Body	1	45001389



Shown with Micarta Trim

Stem, Plug and Seat Schedule

Pipe Size and Body Style	Orifice Size and Plug Type	Stem	Plug	Seat Ring	O-Ring	O-Ring Retainer
2" Flanged Globe and Angle Valves	1-3/4" Micarta	45011861	45001257	45001261		
	1-3/4" O-Ring	45011861	45008469	45001261	67101985	45008470
	1-1/4" Stainless Steel	48011860		45004367		
	1" Stainless Steel	48011859		45001383		
	3/4" Stainless Steel	48011858		45001514		
	1/2" Stainless Steel	45011856		45001512		
	3/8" Stainless Steel	45011865		45001387		