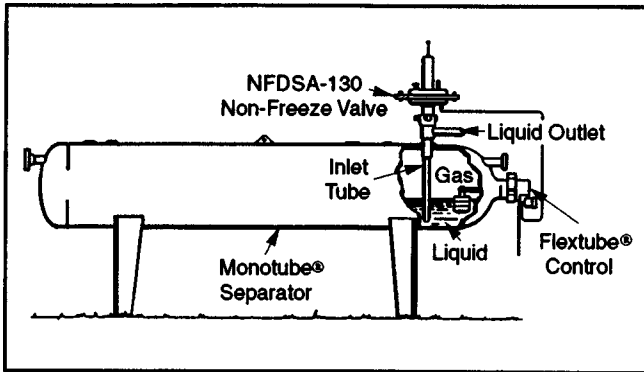
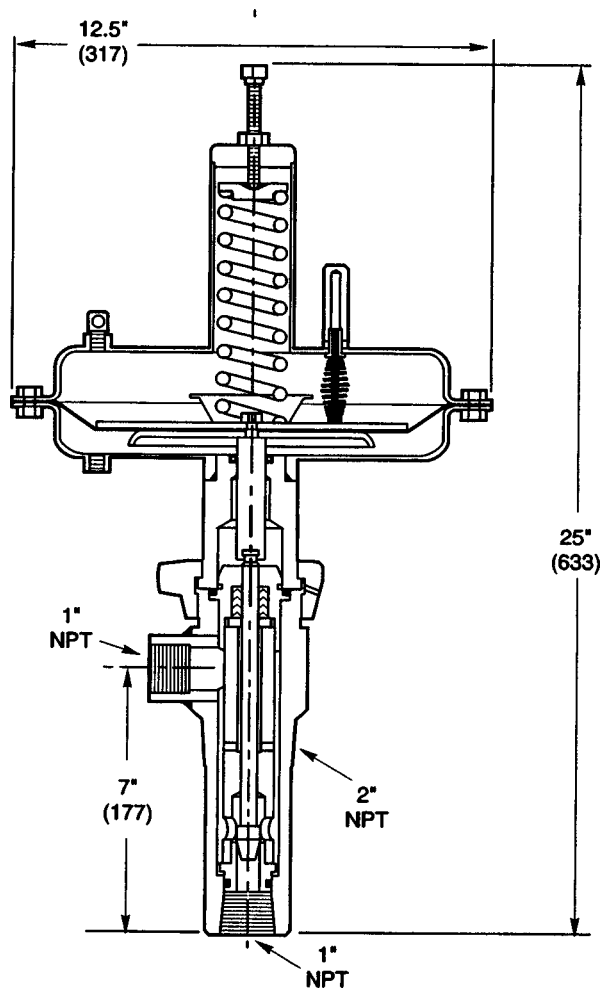


Typical Hook-up



Dimensions

Inches (mm)



Note: Dimensions -- Inches to the nearest tenth (millimeters to the nearest whole mm), each independently dimensioned from respective engineering drawings.