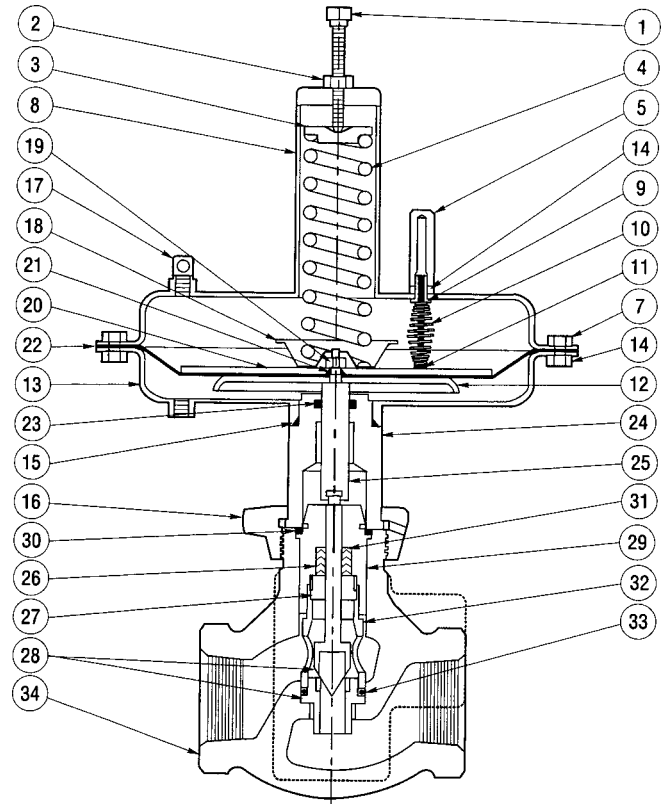


Parts

Item	Notes	Description	Qty.	Part Number	
				1" Valve	2" Valve
1		Screw 1/2-13 x 3" SQHSS	1	65000525	65000525
2		Nut 1/2-13 Hex Jam	1	65008551	65008551
3		Upper Spring Rest	1	45001858	45001858
4	*	Spring	1	45008406	45008406
5	*	Sight Glass	1	45004223	45004223
7		Screw 3/8-16 x 7/8" HHCS	16	65003440	65003440
8		Upper Diaphragm Case	1	48004020	48004020
9		Bushing	1	45003129	45003129
10		Spring	1	45004315	45004315
11		Travel Indicator	1	45003502	45003502
12		Lower Diaphragm Plate	1	45001789	45001789
13		Lower Diaphragm Case	1	48003459	48003459
14		Nut 3/8-16 Hex	17	65001966	65001966
15	*	O-Ring BUN-225-90	1	67101299	67101299
16		Hammer Nut	1	45001862	45001862
17		1/4" Bleeder Filter	1	45002612	45002612
18		Travel Stop	1	45002343	45002343
19		Nut 3/8-24 Flexloc	1	65001401	65001401
20		Upper Diaphragm Plate	1	45002776	45002776
21	*	O-Ring BUN-011-90	1	67101725	67101725
22	*	Diaphragm	1	45003460	45003460
23	*	O-Ring BUN-210-90	1	67101263	67101263
24		Yoke	1	48001860	48001860
25		Upper Stem	1	45001861	45001861
26	*	Packing 3/8"x7/8" Reg.	5	45002061	45002061
27		Packing Follow er	1	45001963	45002024
28	@	Stem, Plug, and Seat		See	SSIV029
29		Stuffing Box	1	45001952	45003101
30	@	O-Ring BUN-224-90	1	67101870	67101870
31	*	Packing 3/8"x7/8" Flaot	1	45002060	45002060
32		Seat Cage	1	45001865	45002025
33	*@	O-Ring (BUN-216-90) 7", (BUN-221-90) 2"	1	67101873	67102145
34		Body DSG-160-418 Ductile	1	45002178	--
		Body DSG-240-418 Ductile	1	--	45002401
		Body DSA-160-420 Steel	1	45001867	--
		Body DSG-160-420 Steel	1	45011979	--
		Body DSA-230-420 Steel	1	--	45008600
		Body DSA-260-420 Steel	1	--	45005577



* Recommended spare parts. See trim set group in process.

@ Included with trim sets.

www.fmcinvalco.com

The specifications contained herein are subject to change without notice and any user of said specifications should verify from the manufacturer that the specifications are currently in effect. Otherwise, the manufacturer assumes no responsibility for the use of specifications which may have been changed and are no longer in effect.

FMC INVALCO Fluid Control P.O. Box 1377, Stephenville, TX 76401, Phone: 254/968-2181, FAX: 254/968-5709, Toll Free: 800/468-2526

Printed in U.S.A. © 2/01 FMC INVALCO All rights reserved. Issue/Rev. 0.4 (2/01)