

The **INVALCO Model 9450 Leveltronic Control Unit** is a conductance level switch for detecting the level of a conductive material. When a conductive material comes in contact with the electrode, the electrode is “shorted” and current is able to establish an electrical path to ground. The unit responds to the “short” by actuating a relay.

By using an interlock (wiring the probe connections to an unused relay contact), it is possible to cause the unit to control a level between high and low level probes. The Leveltronic is switchable between High Level Fail-safe (HLFS) and Low Level Fail-safe (LLFS) and comes equipped with an adjustable sensitivity for substances with different conductivity measurements.



**Model 9450 Control Unit**

### Features

- **Adjustable** - Sensitivity from 0 to greater than 250K Ohms of probe covered resistance for precise foam control.
- **Selectable** - High or Low Fail-safe.
- **Safe for Operators** - less than 6 volts potential on probes and less than 20 microamps nominal current flow.
- **Variety of Power Inputs** - 18-32 Vdc, 115 Vac or 230 Vac 50/60 Hz.
- **L.E.D.** - to indicate relay energized status.

### Specifications - Model 9450

#### Sensitivity

0 - 250K Ohms

#### Power

18-32 Volts DC

104-127 Volts AC, 50/60 Hz

207-253 Volts AC, 50/60 Hz

#### Relay Contacts

DPDT, Form C Contact (Break before make)

Max. Current: 7.5 Amps, Noninductive

Max. Voltage: 115 Volts AC

#### Maximum Distance from Probe to Control

300 Yards (900 feet)

#### Operating Temperature

-40°F to 185°F (-40°C to 85°C)

#### Housing

NEMA 1, Optional NEMA 4X and NEMA 7

#### Socket

11 Pin Octal Socket for Mounting 9450 Control Unit

#### Probe Electrode

See H and S Series Probe Specifications (pages 4 & 5)

### Ordering Information

#### Model 9450 Control Unit (Order Separately)

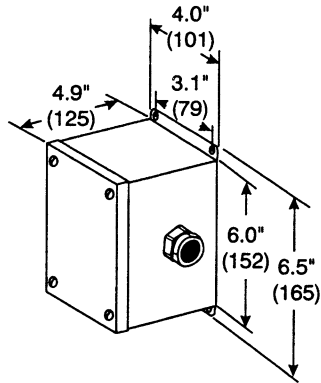
Part No.	Description
81001847	Model 9450 Control Unit, High or Low Level Fail Safe - 24 VDC - Mates w /7450 Enclosure
81001848	Model 9450 Control Unit, High or Low Level Fail Safe - 115 VAC - Mates w /7450 Enclosure
81001849	Model 9450 Control Unit, High or Low Level Fail Safe - 220 VAC - Mates w /7450 Enclosure

#### Model 9450 Control Unit & Housing (Order Separately)

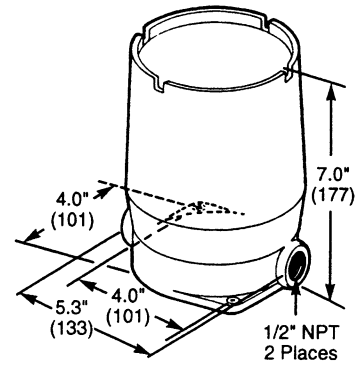
Part No.	Description
81001847	Model 9450 Control Unit, High or Low Level Fail Safe - 24 VDC - Mates w /11 Pin Socket
81001848	Model 9450 Control Unit, High or Low Level Fail Safe - 115 VAC - Mates w /11 Pin Socket
81001849	Model 9450 Control Unit, High or Low Level Fail Safe - 220 VAC - Mates w /11 Pin Socket
68215443	Octal Socket for Model 9450 Control Unit, Remote Mount
68221612	Octal Socket for Model 9450 Control Unit, (Included w ith Weatherproof and EXP Housings)
81001784	Weatherproof Housing for Model 9450 Control Unit, Includes 11 Pin Octal Socket
81001785	Explosion-Proof Housing for Model 9450 Control Unit, Includes 11 Pin Octal Socket

## Dimensions - Model 9450 Enclosure

Inches (mm)



**Nema 4 Weatherproof Housing**



**Nema 7 Explosion-Proof Housing**

**Note:** Dimensions - Inches to the nearest tenth (millimeters to the nearest whole mm), each independently dimensioned from respective engineering drawings.

Refer to Page 6 for Ordering Information on the Nema 4 Weatherproof and the Nema 7 Explosion-Proof Housing.



[www.fmcinvalco.com](http://www.fmcinvalco.com)

The specifications contained herein are subject to change without notice and any user of said specifications should verify from the manufacturer that the specifications are currently in effect. Otherwise, the manufacturer assumes no responsibility for the use of specifications which may have been changed and are no longer in effect.

FMC INVALCO Fluid Control Stephenville, TX 76401, Phone: 254/968-2181, FAX: 254/968-5709, Toll Free: 800/468-2526  
Printed in U.S.A. © 6/04 FMC INVALCO All rights reserved.