

The BT self powered totaliser is specifically designed for computing & displaying totals from flowmeters or machinery with frequency, sine wave or pulse outputs. The instrument simultaneously displays resettable (batch) total & a cumulative total in engineering units as programmed by the user. Ultra low power consumption is a result of innovative design which provides as much as 10 years of service from the replaceable 3.6V lithium battery. The BT may also be externally powered by 8~24Vdc.

Features

- Self powered, 8 digit LCD cumulative totaliser and large 5 digit resettable total.
- Robust field mountable housing with protection cover as standard.
- Simple flow chart touch key programming
- Scaleable universal pulse inputs
- PIN protected programming
- IP66 Weatherproof (*NEMA 4X*)
- Intrinsically safe design *
- Pre-amplified pulse output
- Long battery life
- Reverse polarity protection

Options

- Scaleable pulse output
- Display backlighting

Also available

- Flow rate totalisers
- Automatic batch controllers

Pulse Outputs

An unscaled pulse output serves as a raw frequency amplifier ideally suited for inputs from turbine or paddle wheel style flowmeters. The output can be transmitted over long distances & is NPN/PNP selectable (*current sinking or current sourcing*).

The model BT11 has a scaleable NPN/PNP pulse output suitable for remote integration or driving chemical injection pumps or liquid samplers.

Programming

Simple PIN protected flow chart programming with English prompts guide you through the programming routine greatly reducing the need to refer to the instruction manual.



Specifications

Liquid Crystal Display (LCD)

Alpha numeric LCD characters

Resettable Total

5 digit x .3" (7.5mm) high, programmable to 3 decimal places

Accumulated Total

8 digit x .14mm high, programmable to 3 decimal places

Engineering Units Displayed

litres, MLitres, gallons, Mgallons m3, lbs, kgs or no engineering units displayed

Input Types

Reed switch, open collector, coil (15mV P~P min.), namur & other proximities

Max. Input Frequencies

Coil 5Khz, hall 2.5Khz, namur 250hz

Scaling Range

0.001~9,999,999.999 with 3 floating decimal points

Pulse Outputs

NPN/PNP selectable, non-scaleable (5Khz max.) or scaleable (50hz max.), auto-ranging pulse width :
 $1000 \div (\text{hz} \times 2) = \text{milliseconds}$, 300m/sec. max.

Operating Temperature

14 to 140°F (-10 to +60°C), refer factory for higher temp.

Power Source

1 x 3.6V lithium battery, can last to 10 yrs.

External Powering

8~24Vdc (*drives scaleable pulse output*)

Options (require 8~24Vdc)

Scaleable pulse output, LCD backlighting.

Enclosure

IP66 (*NEMA 4X*) glass reinforced nylon, 0.4lb (175g)

Electrical

Supplied with 1 cable gland suit .11" to .25"
(2.9~6.4mm) O cable

Mounting

Meter & stem mount, wall, surface, pipe or panel mount

Ordering Information

BT100DO	Dual totalizer (accum. & resettable totals), battery powered
BT110DO	Dual totalizer with scaleable pulse output

Housing Type

FM	Universal mount (field, surface, pipe, wall, stem or panel mount)
MM	Integral meter mount

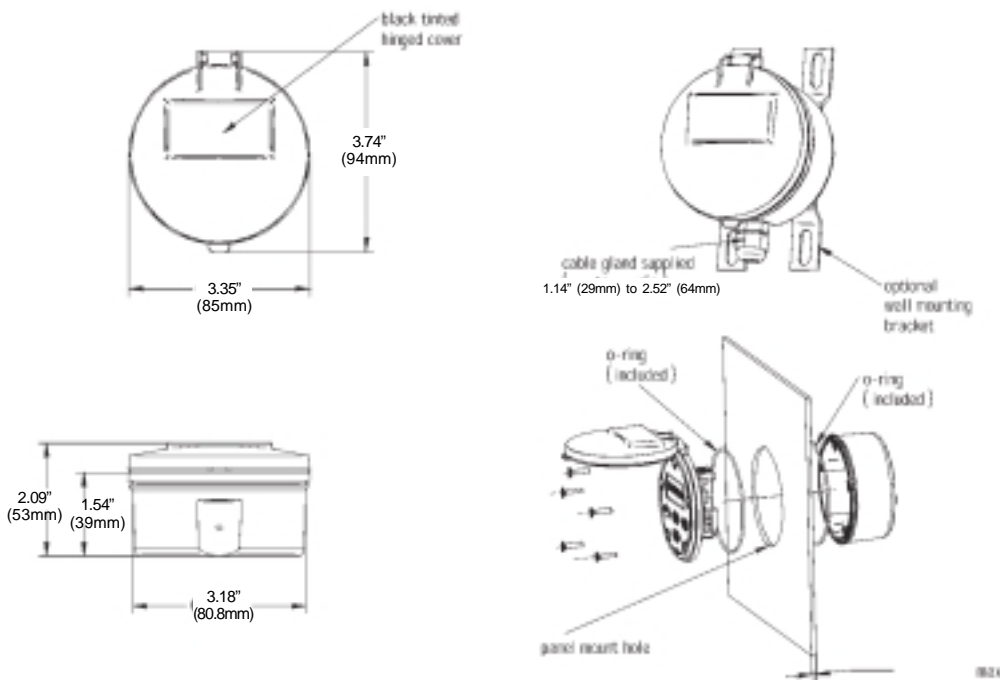
Options

I	Intrinsically safe to Exia IIB T6 (refer factory)
B	Backlighting of LCD display

Optional Adapters

AWM	Stainless steel wall mount kit	ATM	Fixed stem for turbine meters
APM	Stainless steel 2" pipe mount kit	AUS	Swivel stem for turbine meters
ACF	Cooling fin for hi temp. flow meters	ACG	Additional cable gland

Dimensions



Mounting



wall-surface mount



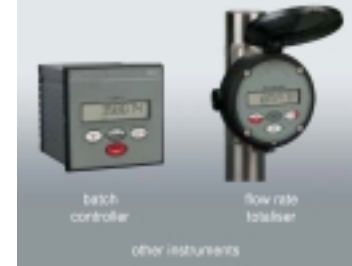
panel mounted



pipe mounts



stem mounts



batch controller

flow rate totalizer

other instruments



www.fmcinvalco.com

The specifications contained herein are subject to change without notice and any user of said specifications should verify from the manufacturer that the specifications are currently in effect. Otherwise, the manufacturer assumes no responsibility for the use of specifications which may have been changed and are no longer in effect.

FMC INVALCO Fluid Control Stephenville, TX 76401, Phone: 254/968-2181, FAX: 254/968-5709, Toll Free: 800/468-2526
Printed in U.S.A. © 3/07 FMC INVALCO All rights reserved.