

The RT self powered totalizer is specifically designed for computing and displaying flow rates and totals from flowmeters or machinery with frequency, sine wave, pulse or analog outputs.

The instrument displays instantaneous flow rate, resettable (batch) total and a cumulative total in engineering units as programmed by the user.

When unsupported by external power the integral 3.6V replaceable lithium battery provides as much as 10 years of service.

Raw Frequency amplifier

An unscaled pulse output serves as an input signal amplifier suited for coil type inputs from turbine or paddle wheel meters. The output can be transmitted over long distances and is NPN/PNP selectable (current sinking or current sourcing).

Options (under external power)

When externally powered all models have a scaleable pulse output which is also NPN/PNP selectable to facilitate input to any variety of PLC, counter or to drive a relay.

Model RT12 has low and high flow alarms and a loop powered 4-20mA output, 10 point linearization of flow input and the capability of adding, subtracting or ratioing of two separate flow inputs.

Programming

Simple PIN protected flow chart programming with English prompts guide you through the programming routine greatly reducing the need to refer to the instruction manual.

Features

- Self or external powered, 8 digit LCD total and cumulative totalizer, 5 digit rate display.
- Robust IP66 field mountable housing with protection cover or DIN panel mount version.
- Simple flow chart touch key programming.
- Scaleable universal pulse inputs and output.
- Multipoint linearity correction.
- PIN protected programming.
- Intrinsically safe design.*
- Pre-amplified pulse output.
- Long battery life.
- Non volatile memory.
- Reverse polarity protection.

Options

- Loop powered 4-20mA output.
- High and low flow rate alarms.
- Dual flow inputs (A+B, A-B, A÷B)
- Analog flow input* (4-20mA)
- Communications and data logging.*
- Temperature compensation.*
- AC power with SPDT outputs.



RT Series Rate Totalizer

Liquid Crystal Display (LCD)

9mm high alpha numeric characters + subscripts

Instantaneous Flow Rate

5 digit to 3 decimal places, units/sec, /min, /hour, or /day

Reset and Accumulated Totals

8 digit, programmable to 3 decimal places

Engineering Units Displayed

Liters, gallons, m3, lbs, kgs or no engineering units displayed

Input Types (pulse & frequency)

Reed Switch, open collector, coil (15mV P-P min.)

namur & other proximities, optional dual inputs (A&B)

Input Types (analog)

4-20mA (source or loop powered)

Input Frequency Range (Rate)

0.1 hz to 10 KHz (with programmable low frequency cut-off)

Input Scaling Range

0.001 - 9,999,999,999 with 3 floating decimal points

Linearization

10 point correction, best under external power

Pulse Outputs

NPN/PNP selectable, non-scaleable (10KHz max.) or scaleable (50hz max.), auto-ranging pulse width:

1000/(hz x 2) = milliseconds, 300m/sec x 1A max.

Operating Temperature

14 to 176F (-10 to 80C), refer to factory for higher temp.

Power Sources (Standard)

One 3.6V lithium battery or 8-24Vdc external source

Specifications (con't)

Power Sources (Optional external sources)

4-20mA loop powered (Model RT12 only)

95 -260 Vac with two SPDT 5A alarm relays

Options (with Model RT12)

4-20mA into 750** @24Vdc, resolution 0.1% of span

low & high flow alarms (NPN/PNP solid state & relay options)

dual flow inputs A+B, A-B, and A+/-B (all outputs correspond)

Options (Model RT13)

Communications, data logging, & temperature compensation.

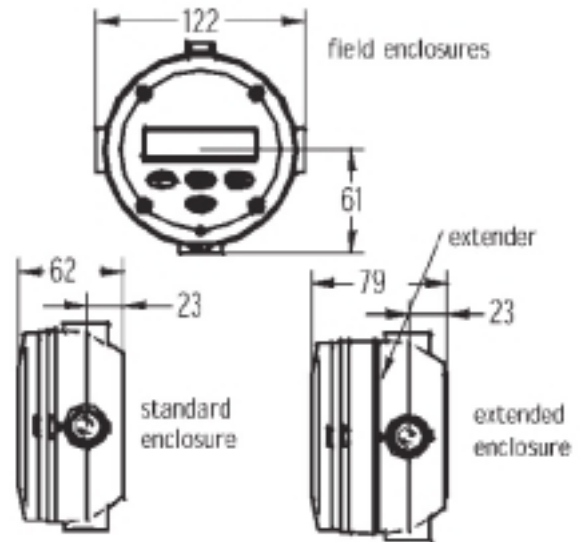
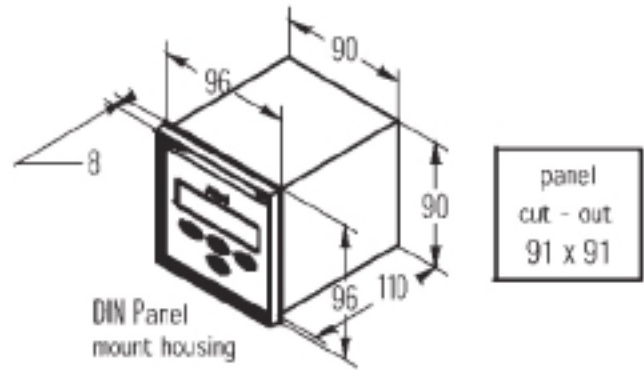
Enclosures

IP66 (NEMA 4X) GRM field mount or DIN panel mount

Mounting Flexibility

Meter & stem mount, wall, surface, pipe or panel mount.

Specifications



Ordering Information

(# = electrical entries: 1 = M20, 2 = 1/2" NPT, 0 = DIN housing with terminals.)

RT#11 Flow Rate Totalizer (flow rate, accumulative & reset totals)

RT#12 Flow Rate Totalizer with additional options (See specifications for RT12 options)

RT#13 Flow Rate Totalizer with additional options (See specifications for RT13 options)

Input Type

D	Digital (pulse or frequency)
A	Analog

Power Supply

0	Self powered or 8-24Vdc
1	95 - 135 Vac
2	190 - 260 Vac

Housing Type

FM	Universal Mount (Field, surface, pipe, wall, stem, or panel mount)
MM	integral meter mount
PM	DIN panel mount 96 x 96 mm x 110 mm deep (91 x 91mm cut out)

Options

I	Intrinsically safe to Exia IIB (refer to factory)
----------	---



www.fmcinvalco.com

The specifications contained herein are subject to change without notice and any user of said specifications should verify from the manufacturer that the specifications are currently in effect. Otherwise, the manufacturer assumes no responsibility for the use of specifications which may have been changed and are no longer in effect.

FMC Energy Systems Fluid Control Stephenville, TX 76401, Phone: 254/968-2181, FAX: 254/968-5709, Toll Free: 800/468-2526

Printed in U.S.A. ©1/06 FMC Energy Systems All rights reserved. Issue/Rev. 0.7 (1/06)